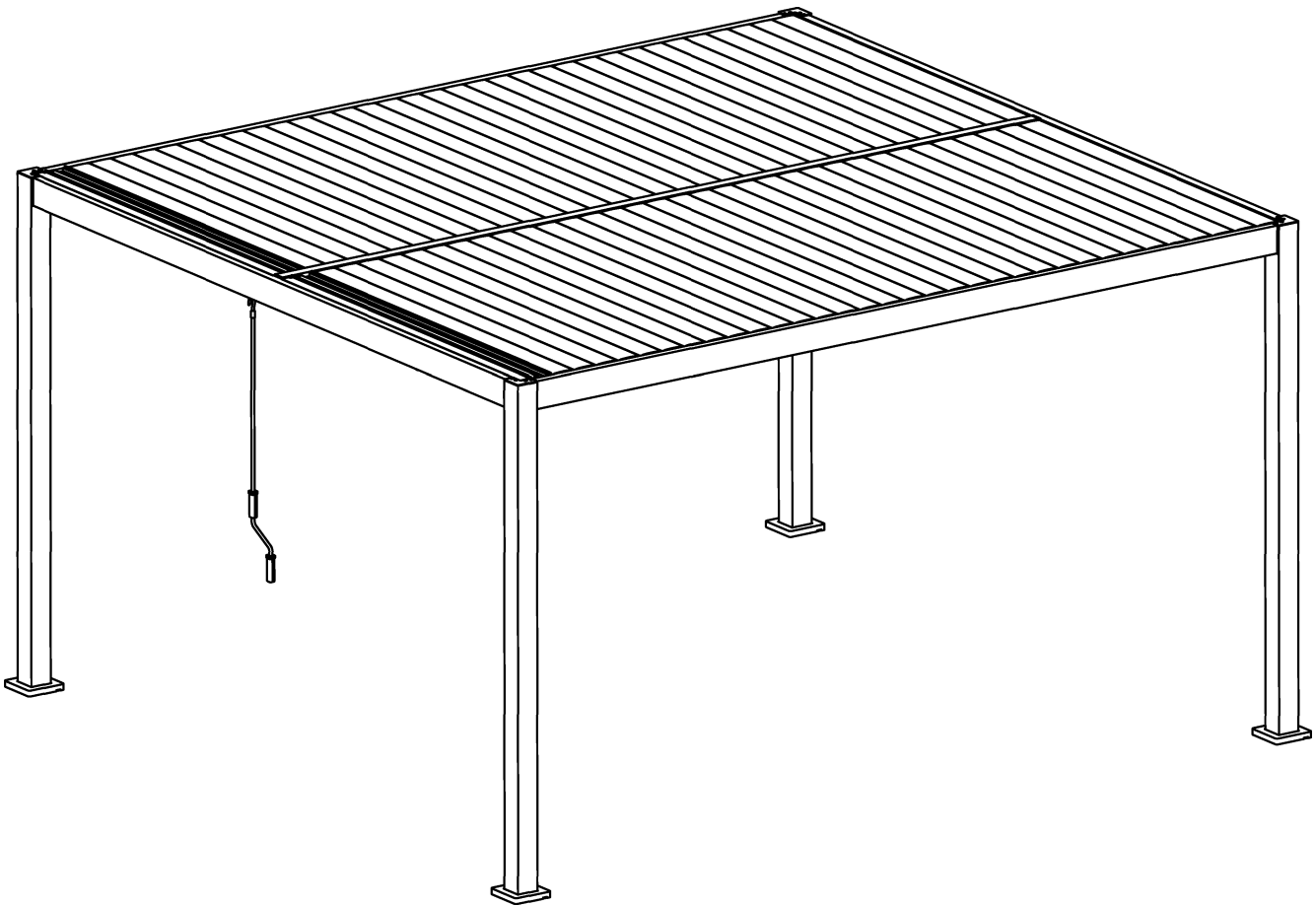


Assembly Instruction for Cube 4x4m with LED Pergola

Welcome to your new Royce Cube Pergola.
Please read through the instructions carefully before you start.

Please retain your instructions for future reference

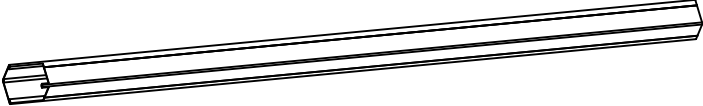

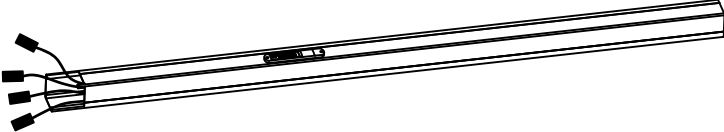

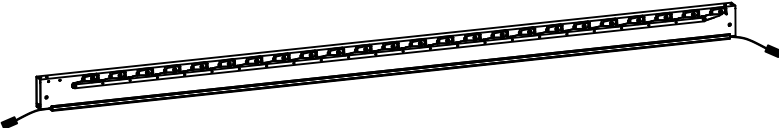
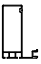
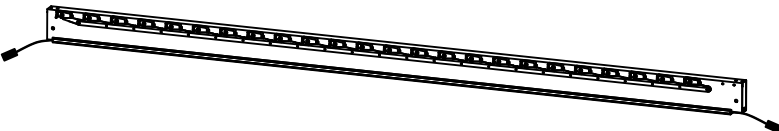
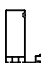
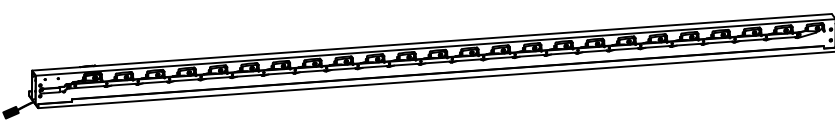
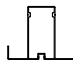
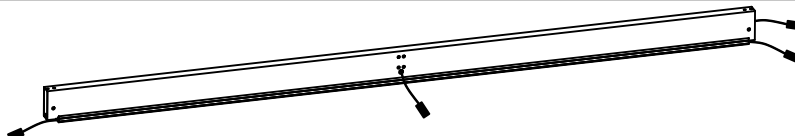

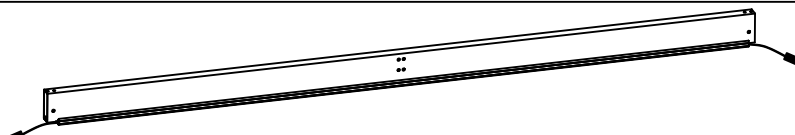


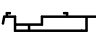




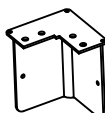
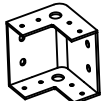
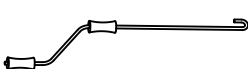







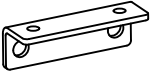
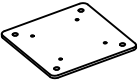

Important: The Cube should be assembled on a level area.

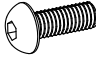
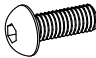
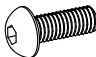
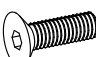






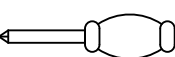
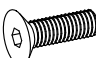


Cube Product Support
www.royce-cube.co.uk

**ROYCE**

PART NO	DESCRIPTION	QTY	PART NAME
A	 	3	Leg
A1	 	1	Leg with power
B	 	1	Outer edge beam
C	 	1	Outer edge beam
D	 	1	Centre beam
E	 	1	End beam
E1	 	1	End beam
F	 	1	Fixed louvre
F1	 	1	Solar panel louvre
G	 	66	Louvre
H		4	Corner cap
I		4	Beam connector
J		1	Winding handle

PART NO	DESCRIPTION	QTY	PART NAME
K		2	MIDDLE BEAM FITTING
L		1	Louvre mechanism
M		1	Louvre mechanism
N	  M5*18	2	Winding ring
O		4	End louvre bracket
P		4	FOOT PLATE
Q		4	FOOT PLATE COVER

PART NO	DESCRIPTION	QTY	PART NAME
AA	 M6*20	16	
BB	 M6*15	24	
CC	 M6*10	16	
DD	 M6*15	8	
EE	 M6*35	4	
FF	 M5*12	16	
GG	 M5*12	12	
HH		8	
II	 5mm  4mm	3	
JJ		1	
KK	 M6*13	2	

Should you need any replacement parts contact your Royce Cube stockist or complete the Parts Request Form:

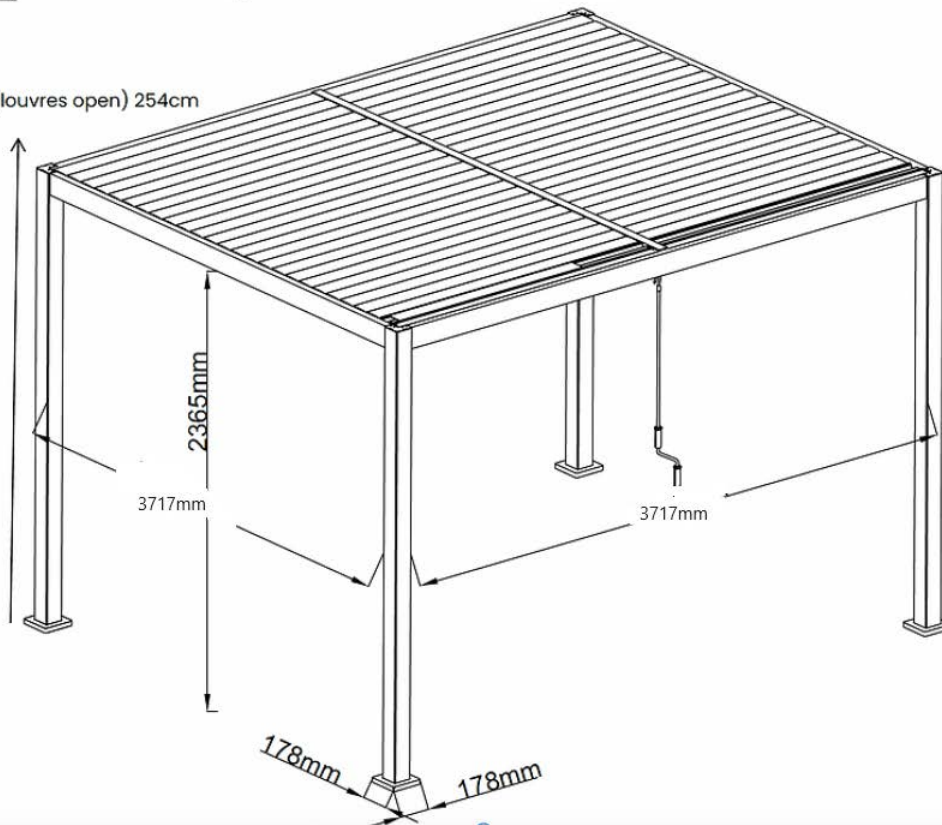
<https://www.norfolkleisurelifestyle.com/contact-us>

Cube 4x4m with LED dimensional footprint



ROYCE CUBE Pergola Internal Dimensions - 4M x 4M

overall height (louvres open) 254cm



Assembly tips:

- We recommend that the installation of your Royce Cube Pergola is carried out by an experienced person.
- Please read through the instructions first before you start.
- You will need 2 persons to complete the assembly which will take approximately 4-6 hours.
- First remove all the components and fittings and place them on a clean area to protect from damage. Check that you have all the parts (see Parts List) before you start.

Care and Maintenance:

The Royce Cube Pergola is a permanent structure and should be left assembled throughout the year.

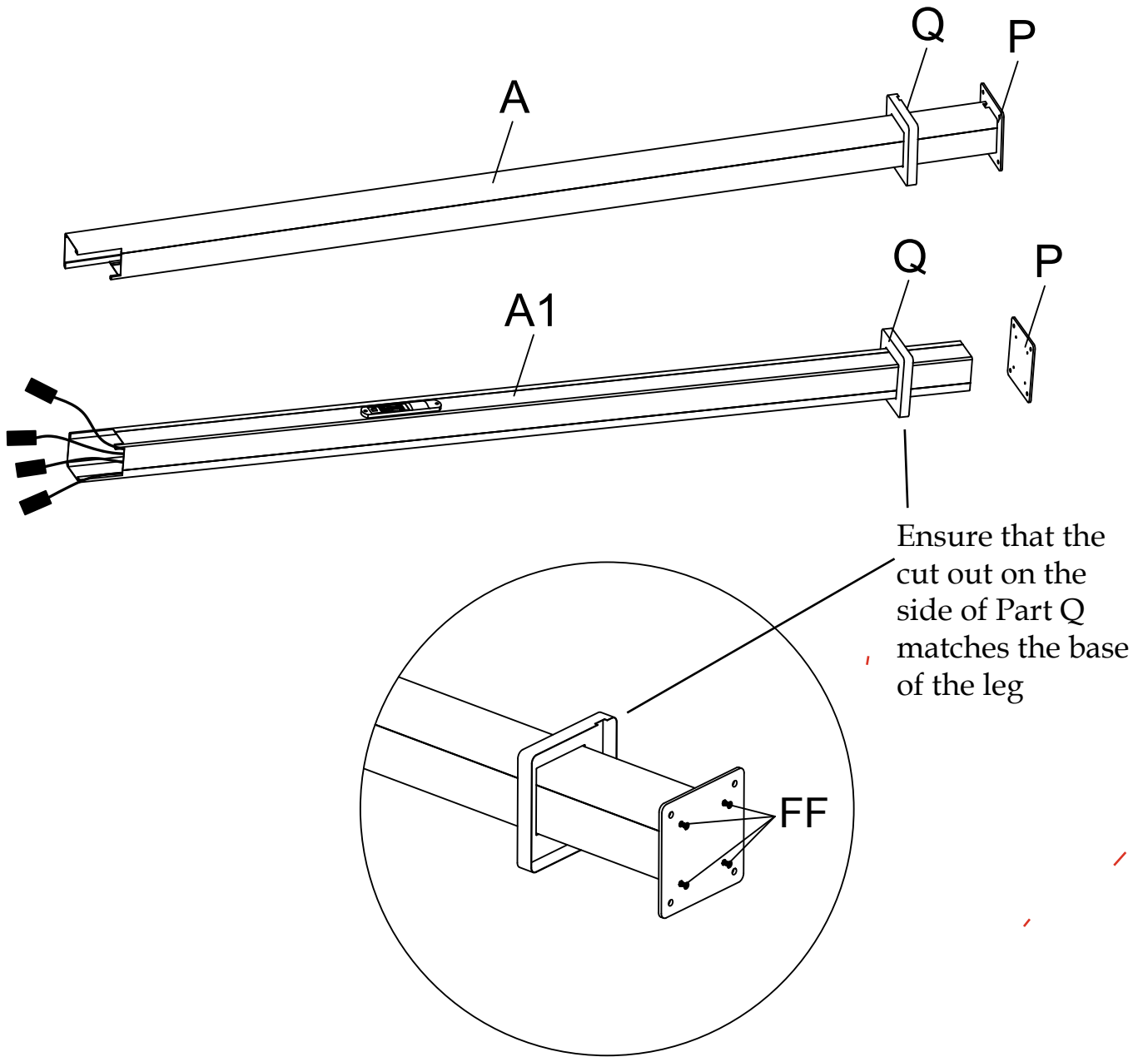
- We recommend that fixings are checked at the start of the season to ensure they are tight.
- During extreme weather we recommend that the louvres and Pull Down Screens are opened to help avoid any structural damage.
- Clean with fresh water and a sponge or cloth. Do not use harsh detergents or abrasive materials.
- Check the gutter system and louvres are clear of leaves and debris that might hinder the water flow.

Warranty:

- The main structure carries a 5 Year Limited Warranty against manufacturing defects and faults.
- Cube Pull Down Screens and LED lights 2 Years Limited Warranty. Further information is available on request or via our website.



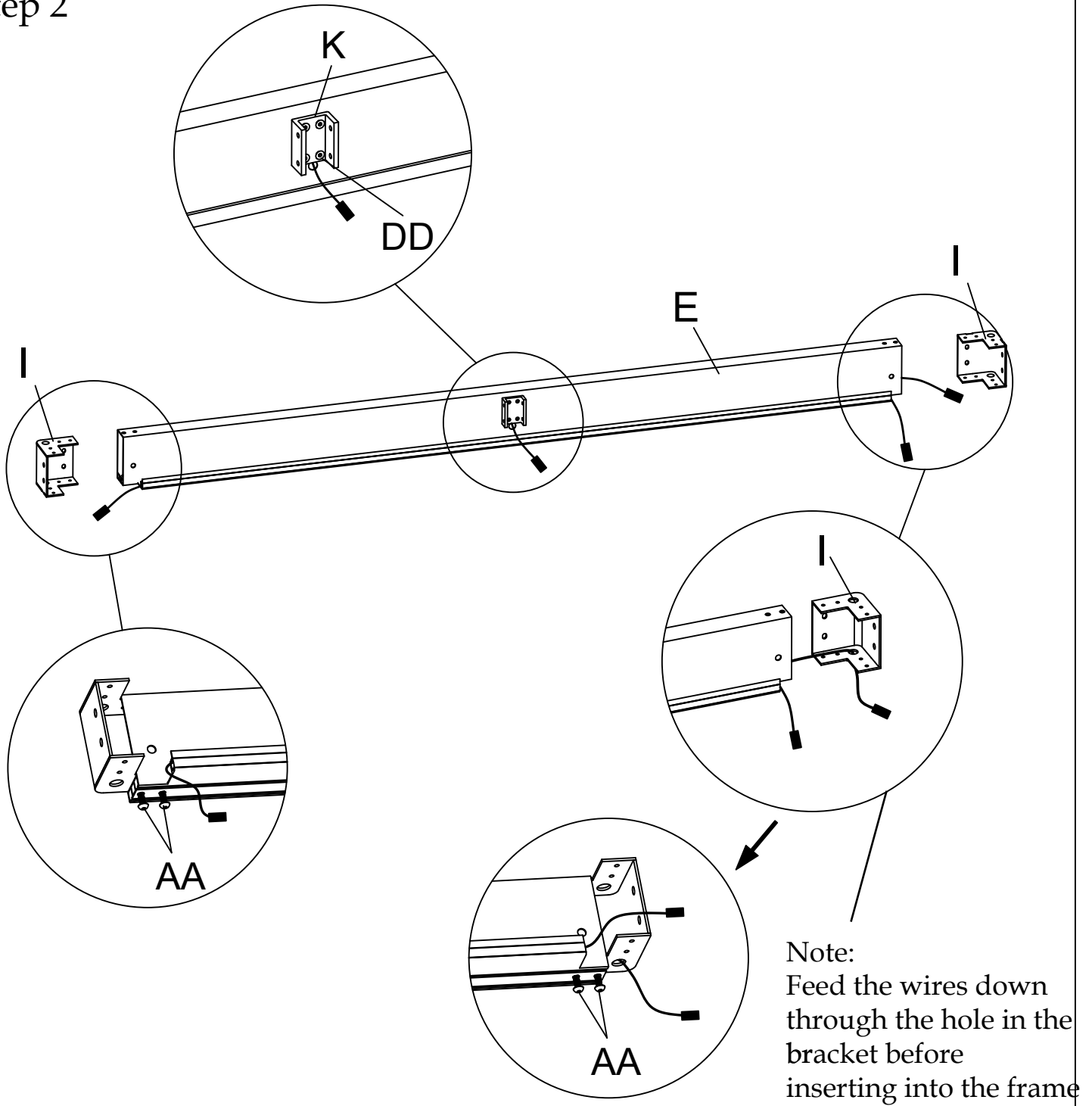
Step1



Parts

A	3		Q	4	
A1	1		FF	16	M5*12
P	4				

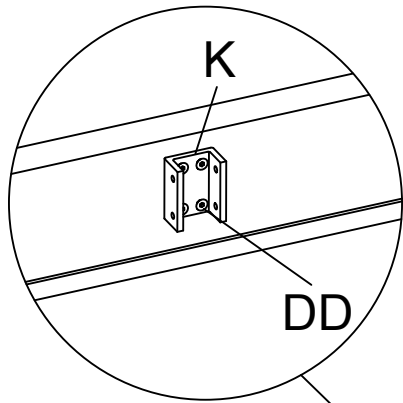
Step 2



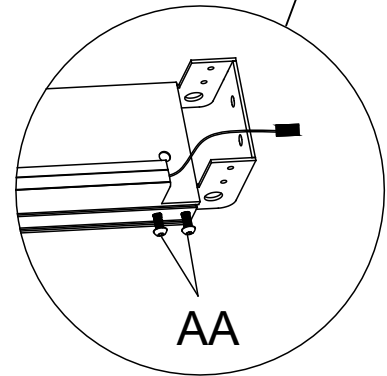
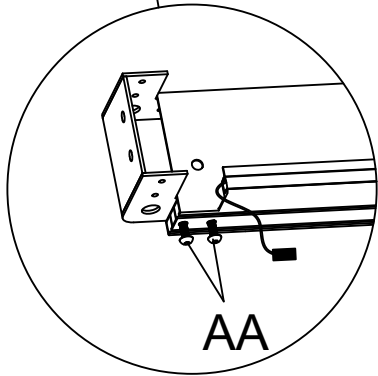
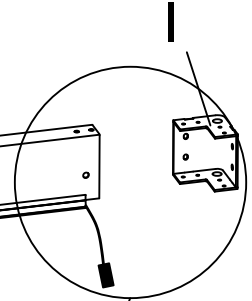
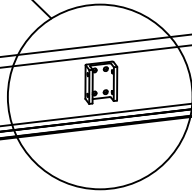
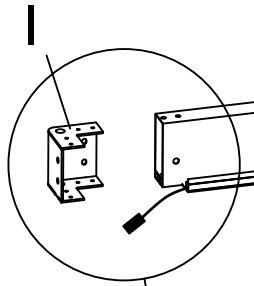
Parts

E	1		AA	4	M6*20
I	2		DD	4	M6*15
K	1				



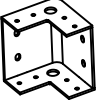


Step 3



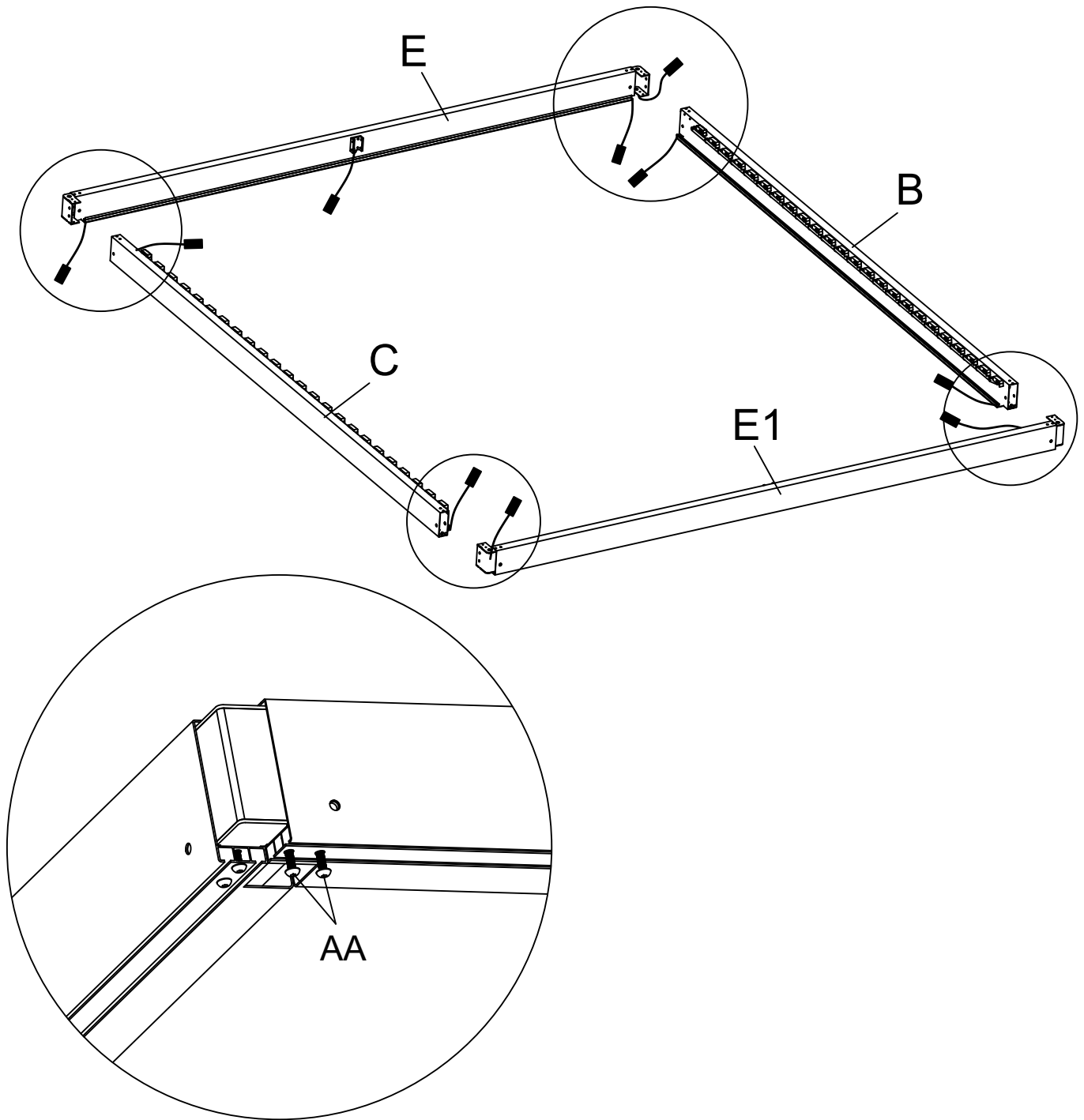
Note:
Make sure the
cables are free and
do not become
trapped



Parts

E1	1		AA	4	 M6*20
I	2		DD	4	 M6*15
K	1				

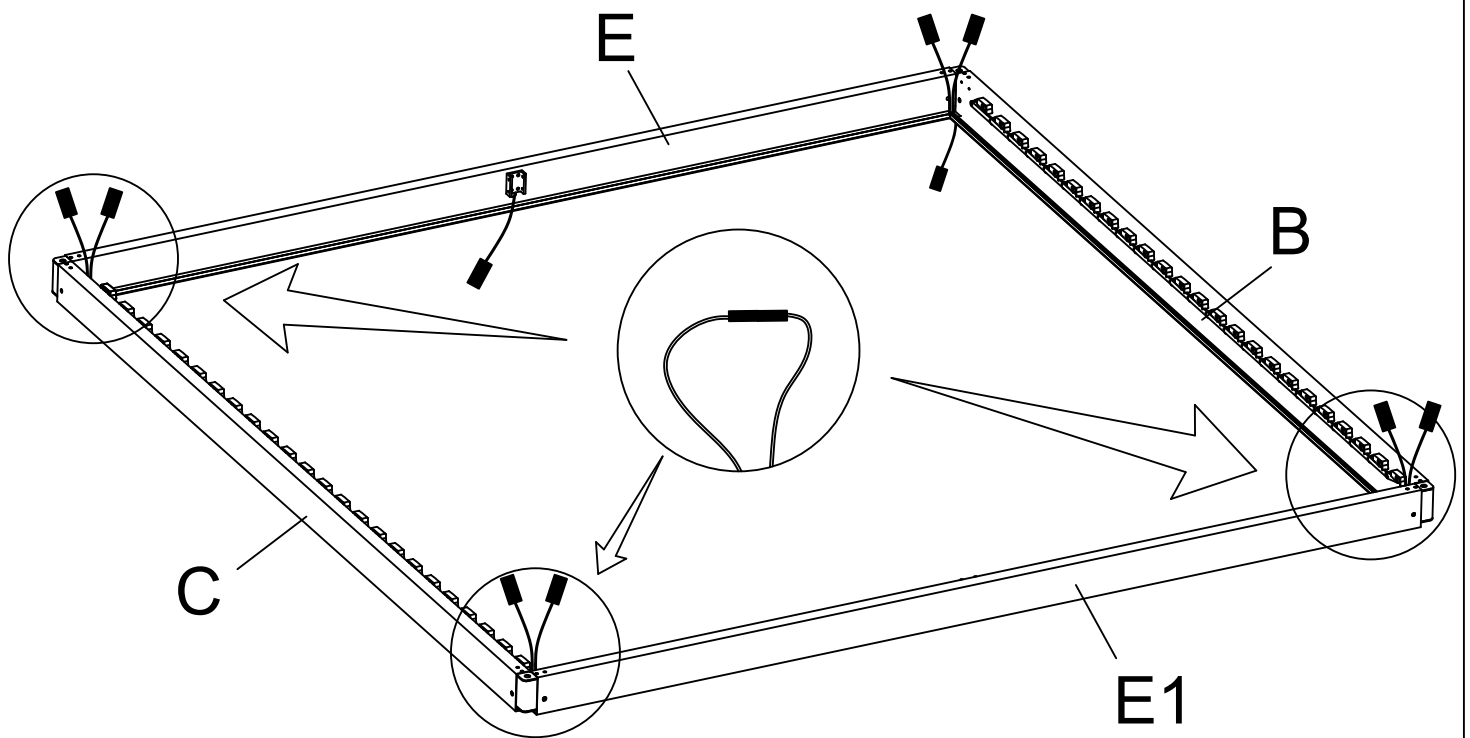
Step 4



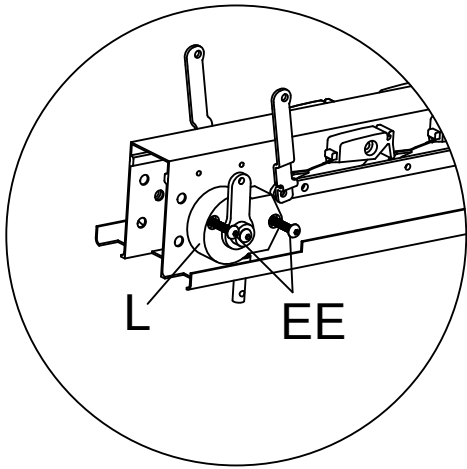
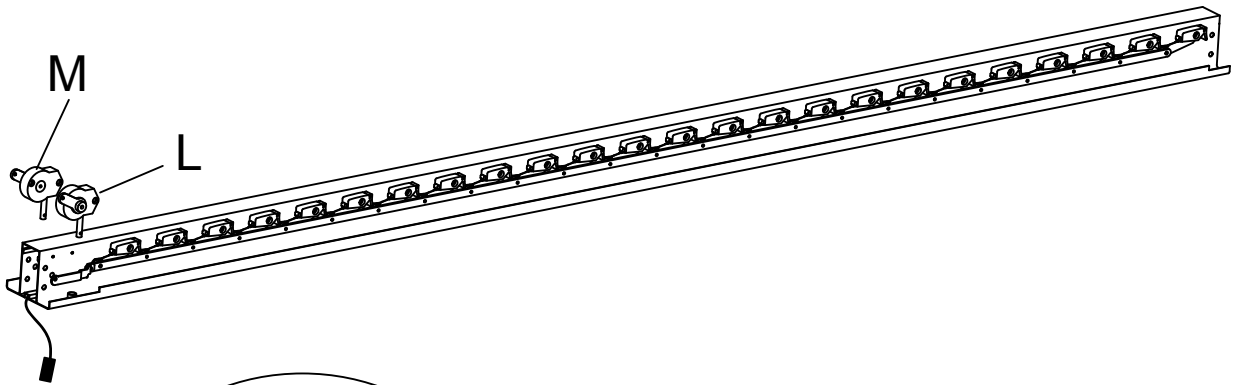
Parts

B	1		AA	8	M6*20
C	1				

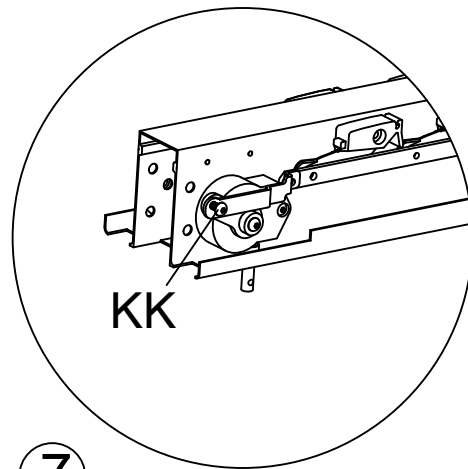
Step 5



Step 6



6



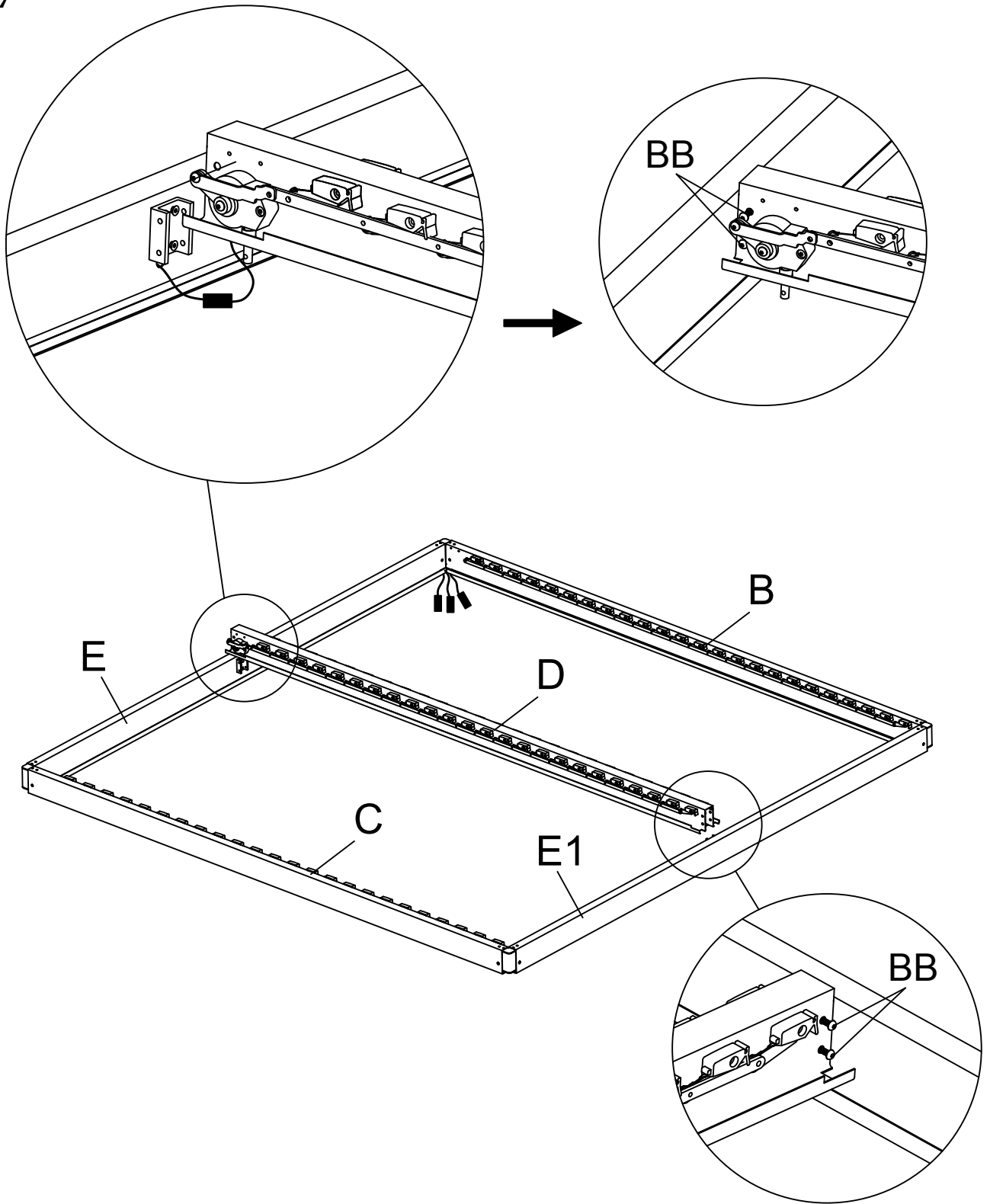
7

Rotate the lower rod of the turbine can adjust the direction of the steel plate


Parts

D	1		KK	2	M6*13
L	1		EE	4	M6*35
M	1				

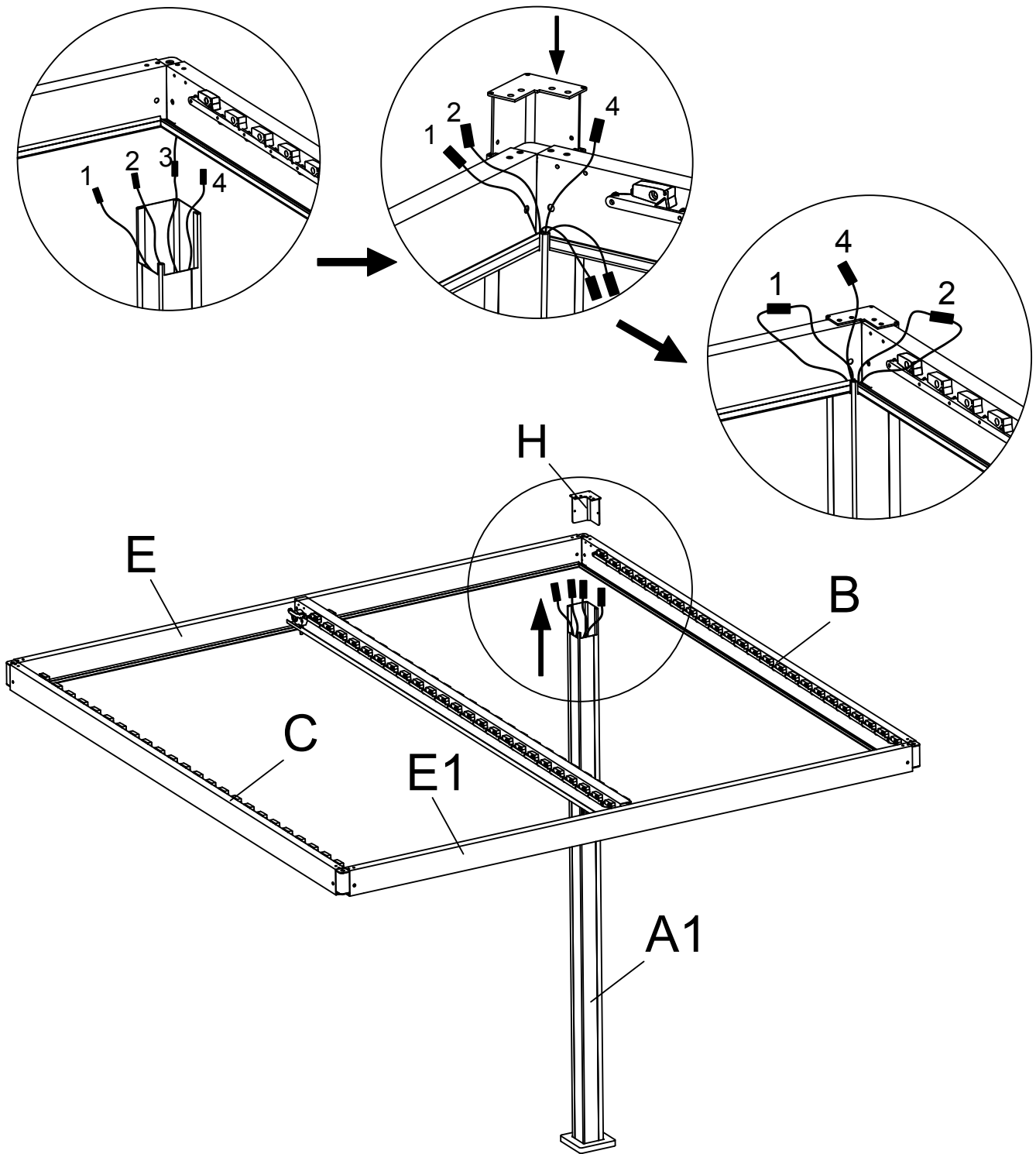
Step 7



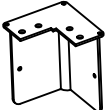
Parts

BB	8	 M6*15
----	---	---

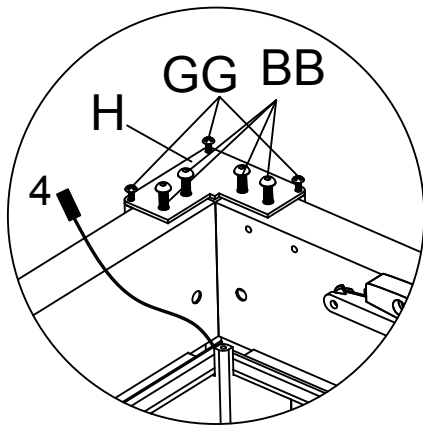
Step 8



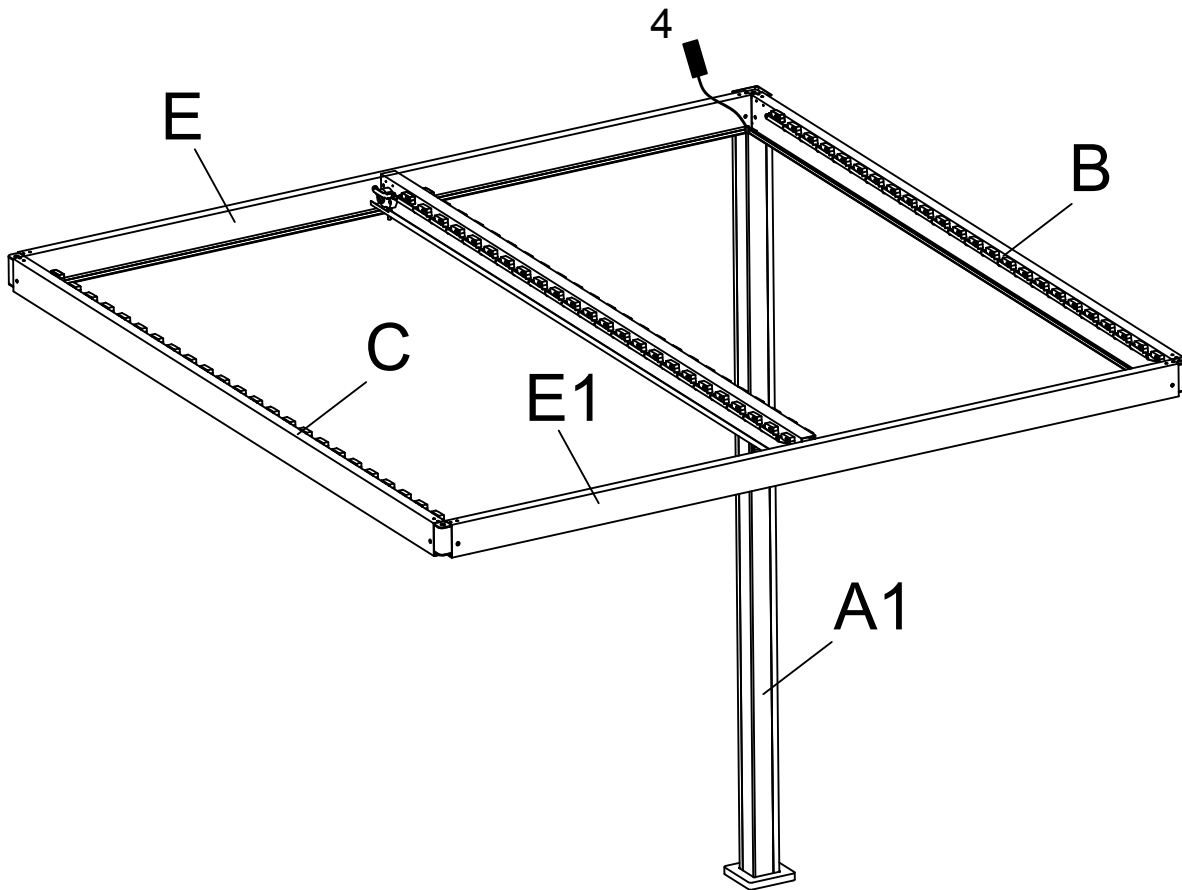
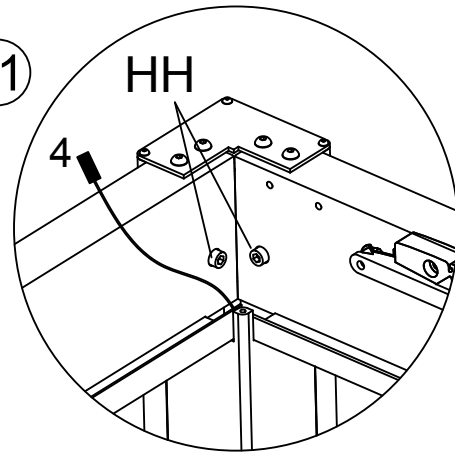
Parts

H	1	
---	---	---




Step 9



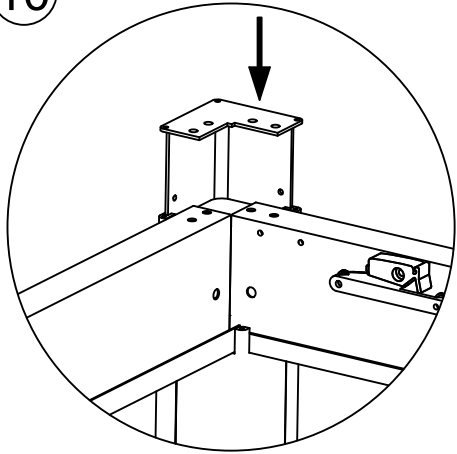
11



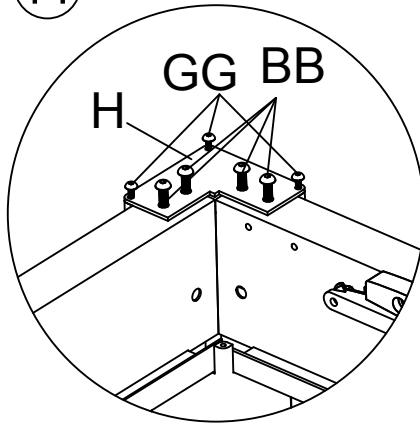
Parts

HH	2		BB	4	 M6*15
GG	3	 M5*12			

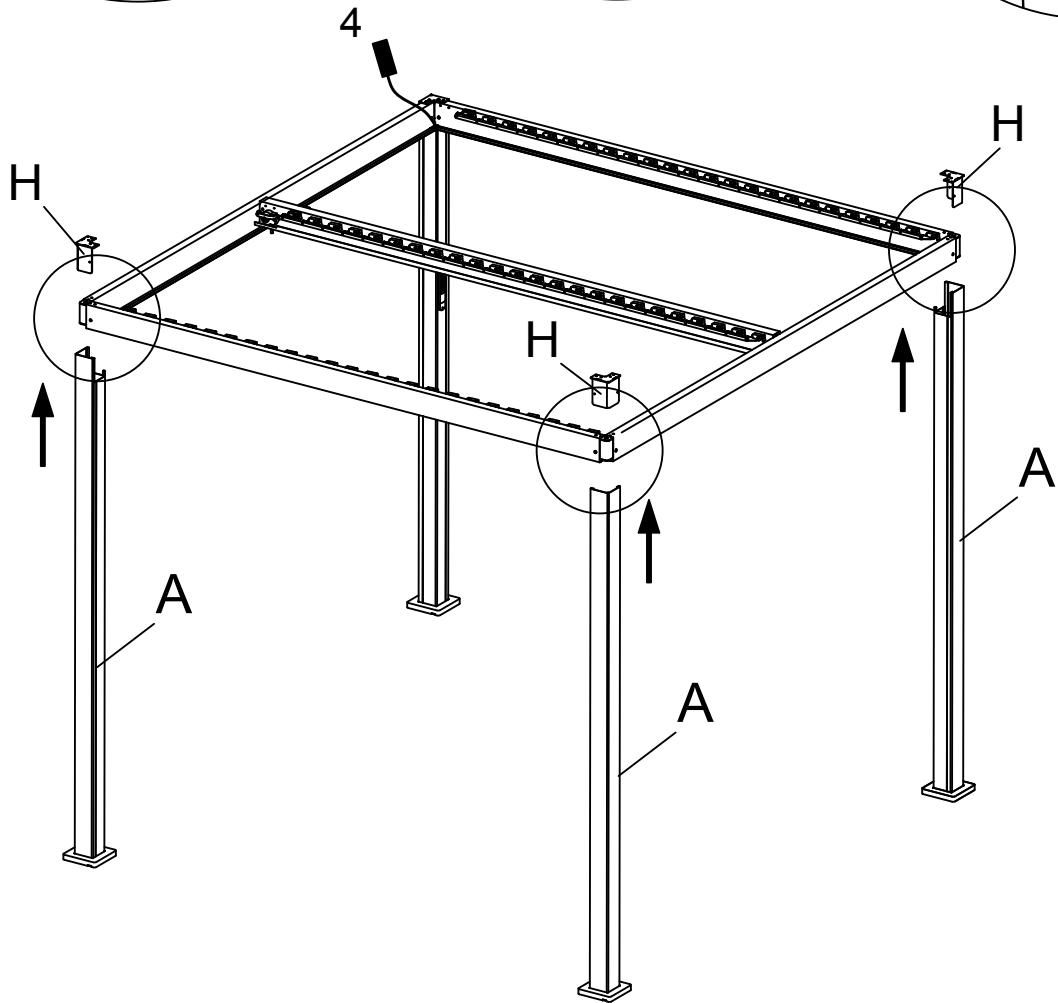
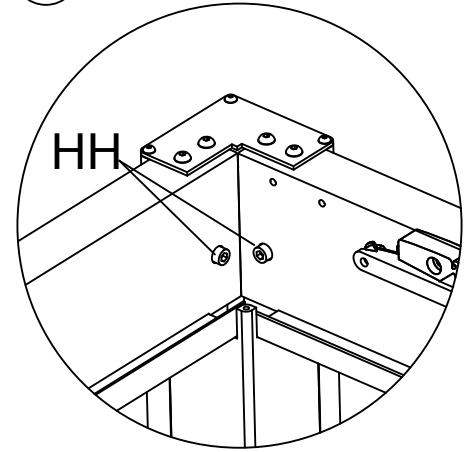
10



11



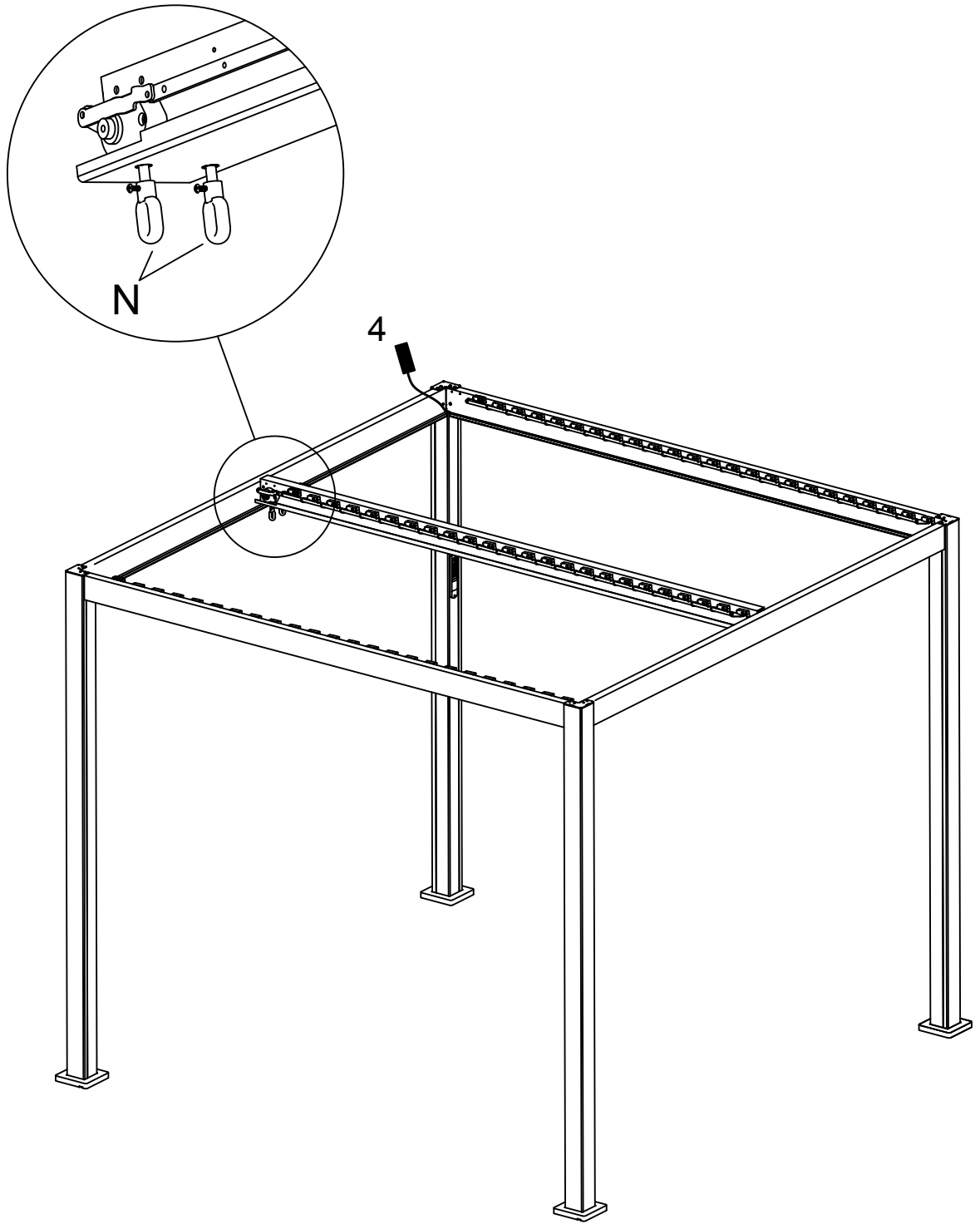
12



Parts

H	3		BB	12	
HH	6		GG	9	

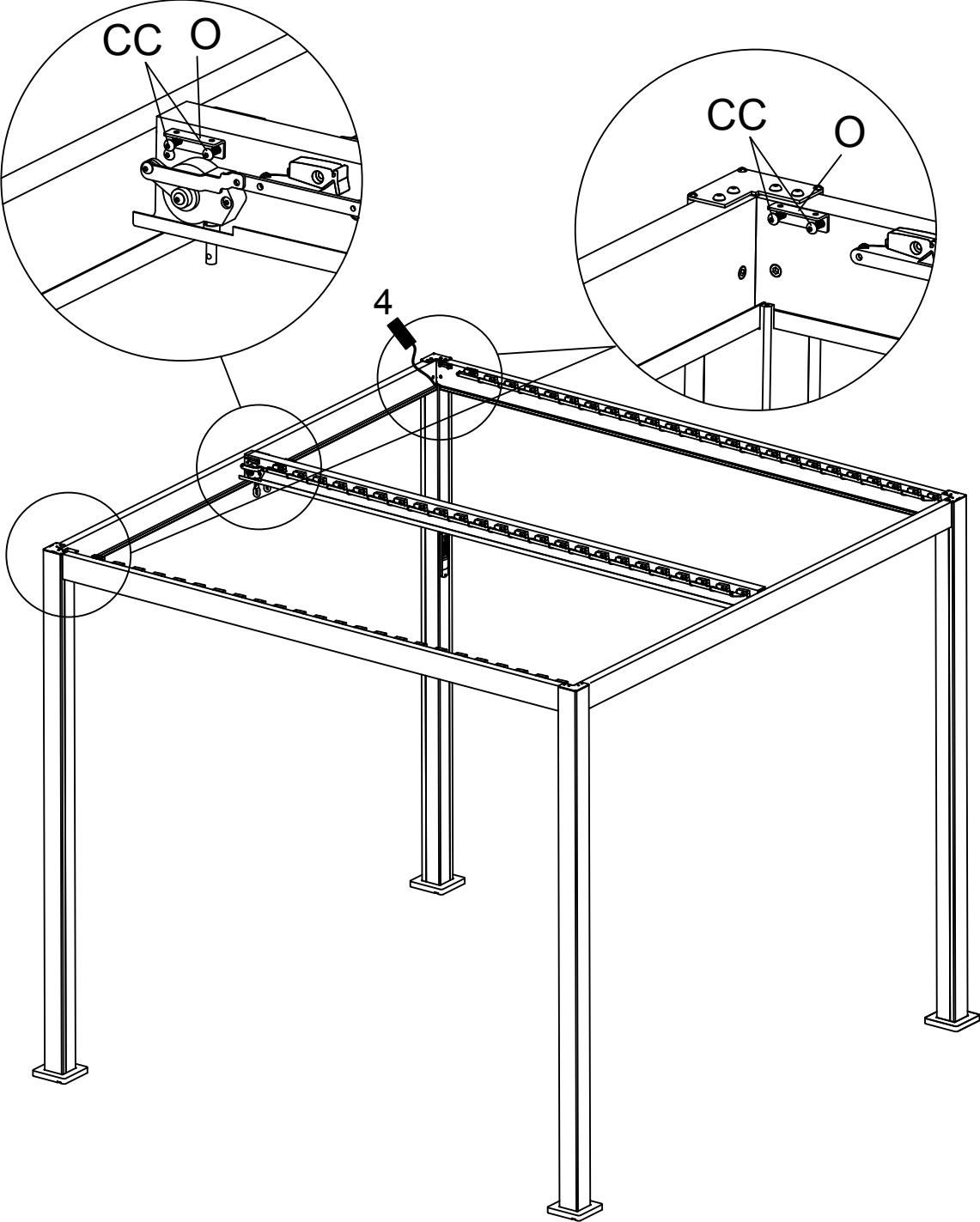
Step 13



Parts

M	2		 M5*18
---	---	---	--

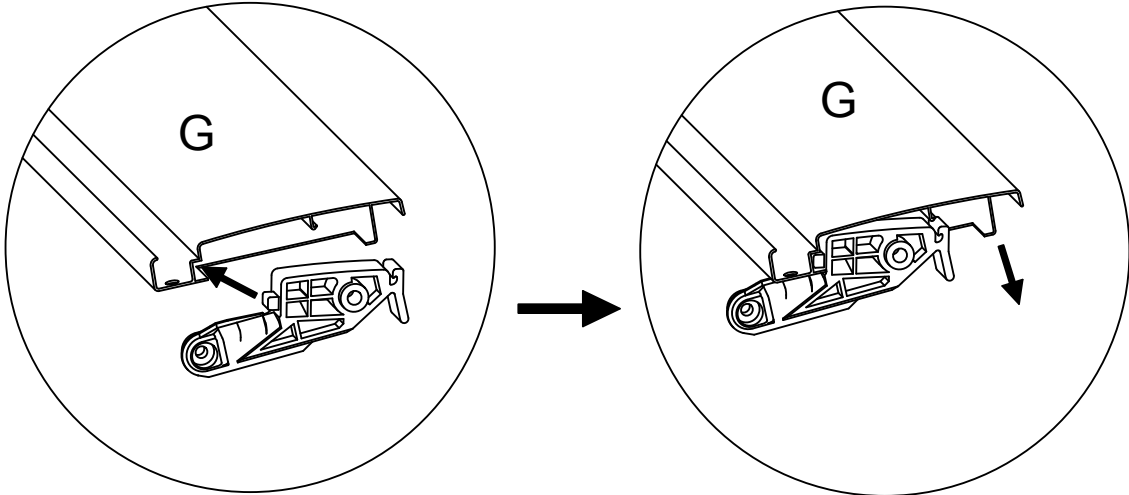
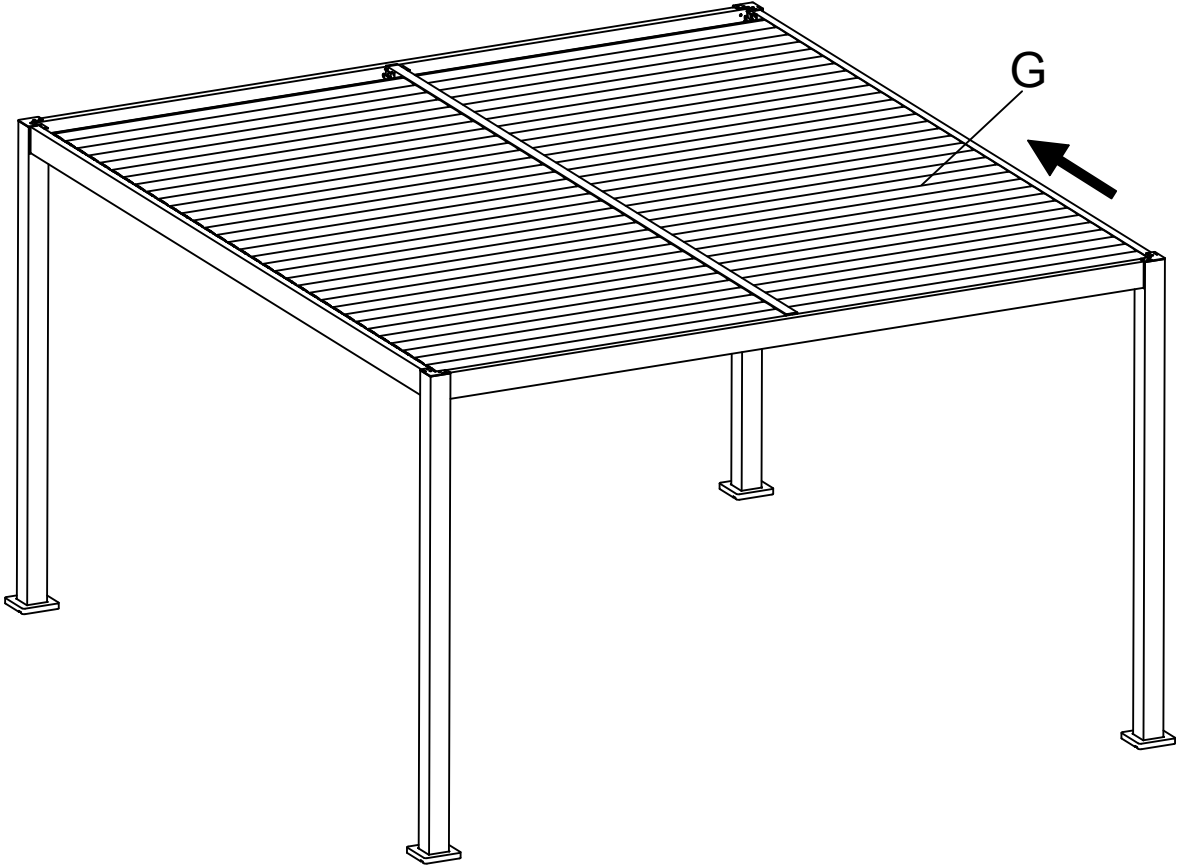
Step 14




Parts

O	4		CC	8	 M6*10
---	---	---	----	---	---

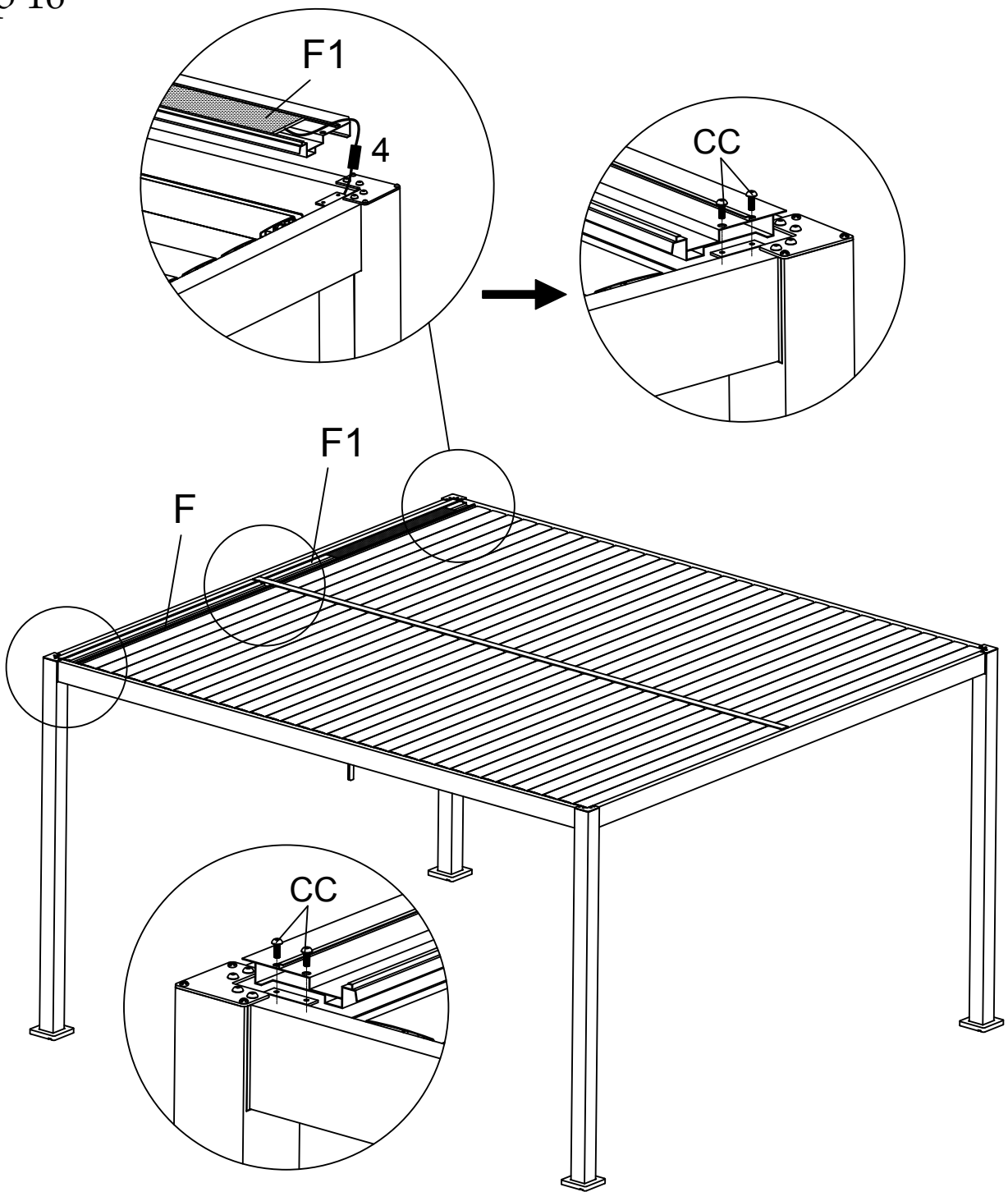
Step 15





Parts

G	66	
---	----	---

Step 16



Parts

F	1		CC	8	 M6*10
F1	1	