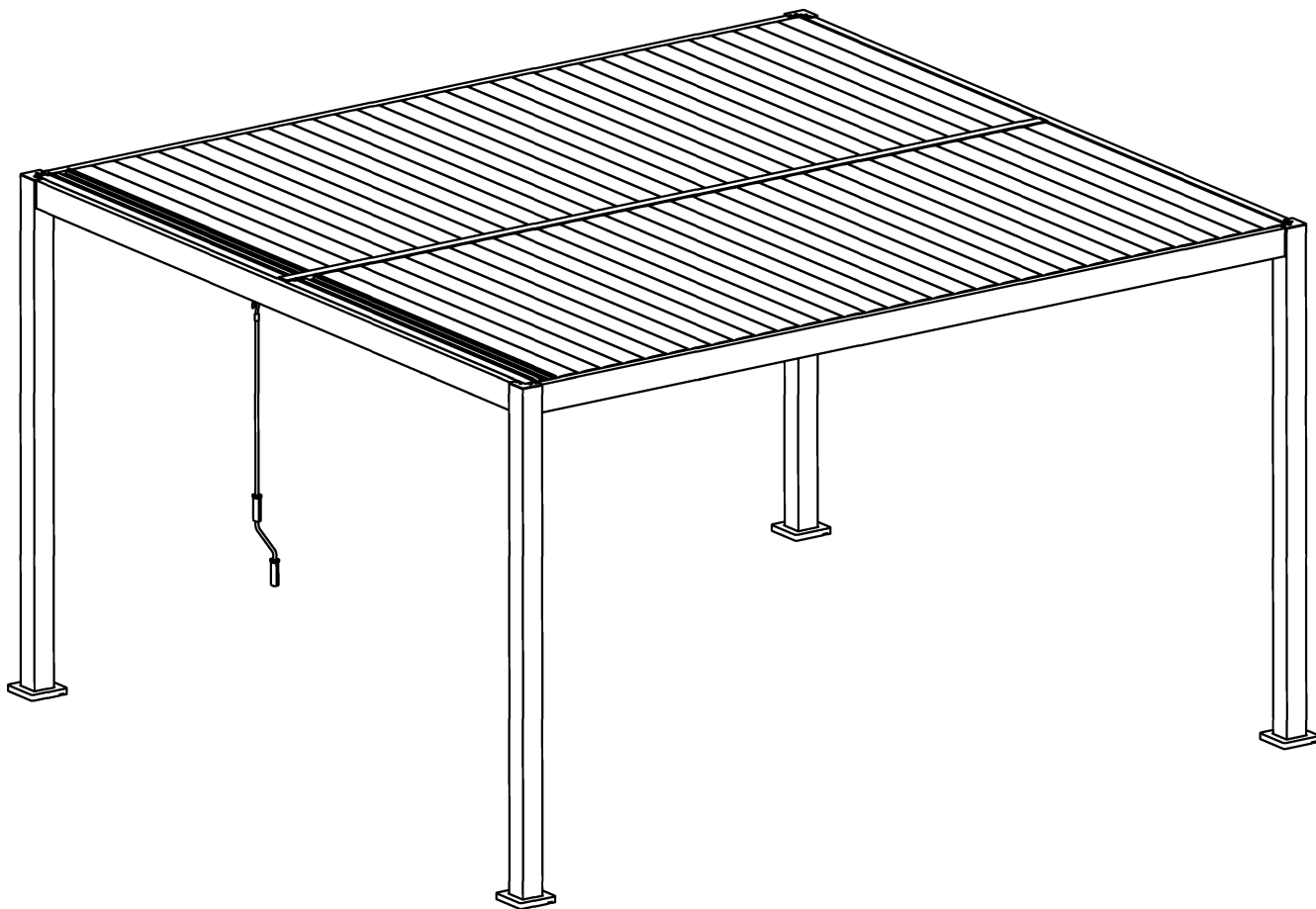


Assembly Instruction for Cube 4x4M Pergola

Welcome to your new Royce Cube Pergola.
Please read through the instructions carefully before you start.

Please retain your instructions for future reference

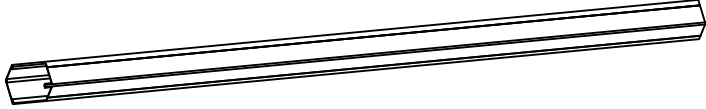
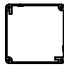
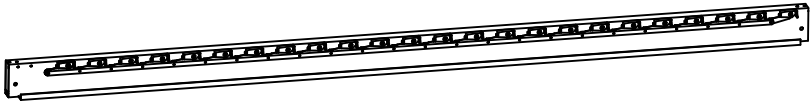

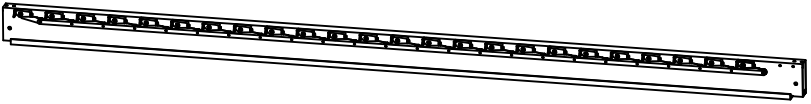
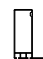
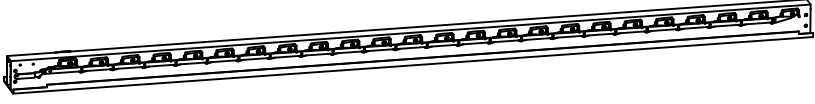

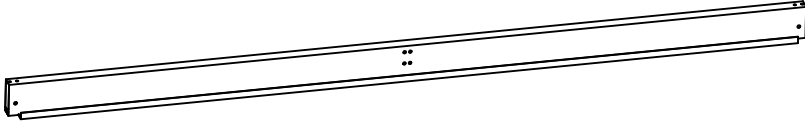


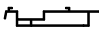

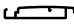
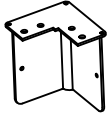
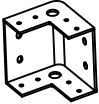
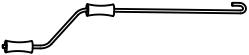









Important: The Cube should be assembled on a level area.

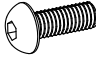
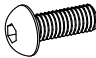
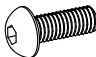
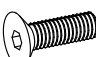






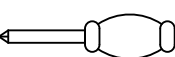
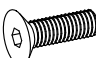


Cube Product Support
www.royce-cube.co.uk



PART NO	DESCRIPTION	QTY	PART NAME
A	 	4	Leg
B	 	1	Outer edge beam
C	 	1	Outer edge beam
D	 	1	Centre beam
E	 	2	End beam
F	 	2	Fixed louvre
G	 	66	Roof louvre
H		4	Corner cap
I		4	Beam connector
J		1	Winding handle
K		2	Middle beam fitting
L		1	Louvre mechanism
M		1	Louvre mechanism

PART NO	DESCRIPTION	QTY	PART NAME
N		2	Winding ring
O		4	End louvre bracket
P		4	Foot plate
Q		4	Foot plate cover

PART NO	DESCRIPTION	QTY	PART NAME
AA	 M6*20	16	
BB	 M6*15	24	
CC	 M6*10	16	
DD	 M6*15	8	
EE	 M6*35	4	
FF	 M5*12	16	
GG	 M5*12	12	
HH		8	
II	 5mm  4mm	3	
JJ		1	
KK	 M6*13	2	

Should you need any replacement parts contact your Royce Cube stockist or complete the Parts Request Form:

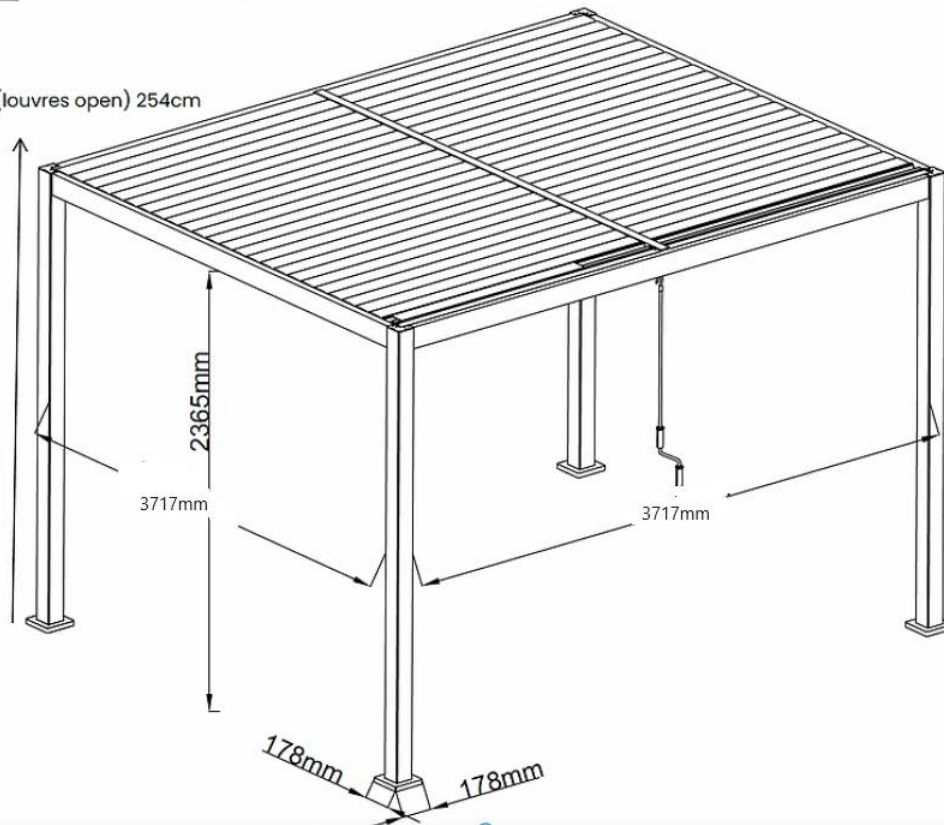
<https://www.norfolkleisurelifestyle.com/contact-us>

Cube 4x4m dimensional footprint



ROYCE CUBE Pergola Internal Dimensions - 4M x 4M

overall height (louvres open) 254cm



Assembly tips:

- We recommend that the installation of your Royce Cube Pergola is carried out by an experienced person.
- Please read through the instructions first before you start.
- You will need 2 persons to complete the assembly which will take approximately 4-6 hours.
- First remove all the components and fittings and place them on a clean area to protect from damage. Check that you have all the parts (see Parts List) before you start.

- We recommend that fixings are checked at the start of the season to ensure they are tight.
- During extreme weather we recommend that the louvres and Pull Down Screens are opened to help avoid any structural damage.
- Clean with fresh water and a sponge or cloth. Do not use harsh detergents or abrasive materials.
- Check the gutter system and louvres are clear of leaves and debris that might hinder the water flow.

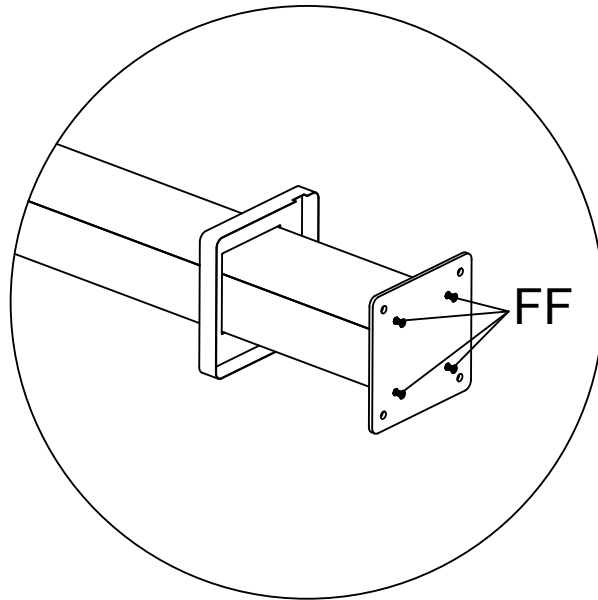
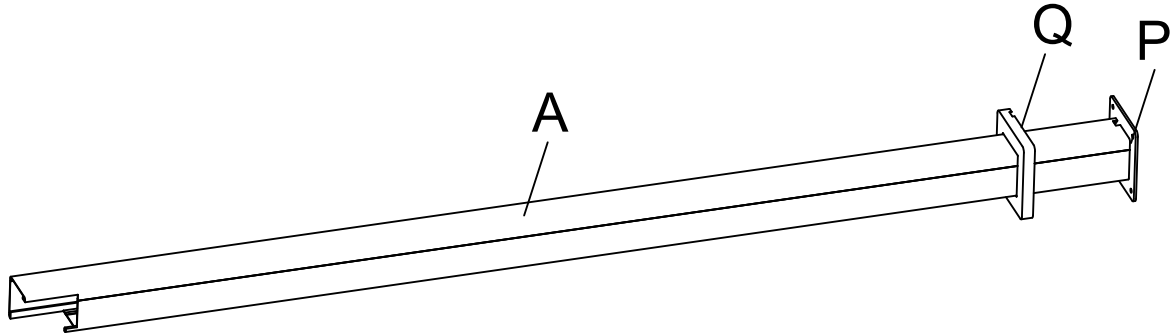
Warranty:

- The main structure carries a 5 Year Limited Warranty against manufacturing defects and faults.
- Cube Pull Down Screens and LED lights 2 Years Limited Warranty. Further information is available on request or via our website.



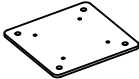



Step1

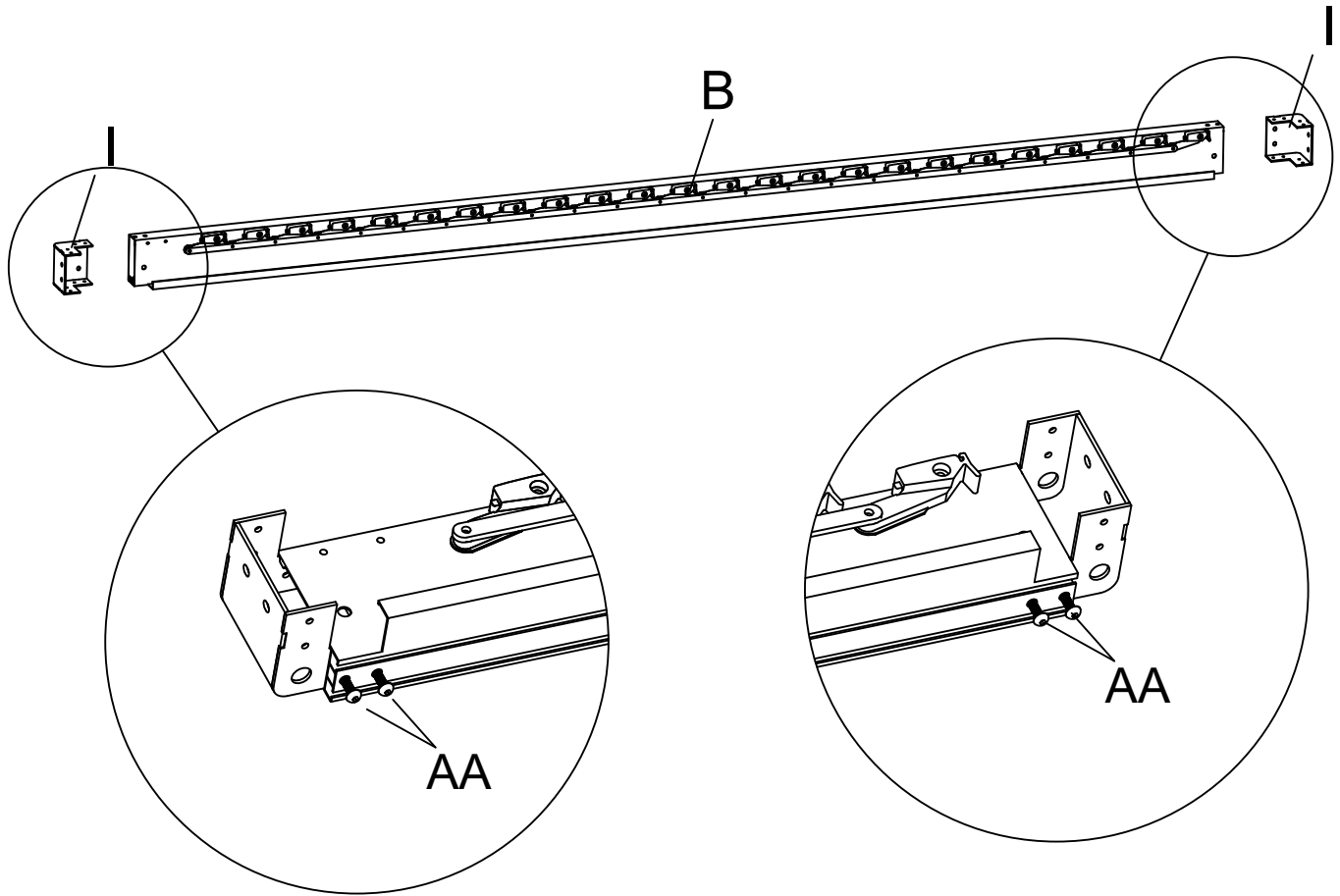
Ensure that the cut out on Q is the same as the cut out on A



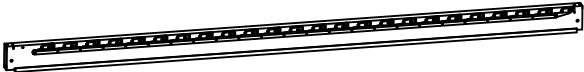


Parts

A	4		Q	4	
P	4		FF	16	 M5*12

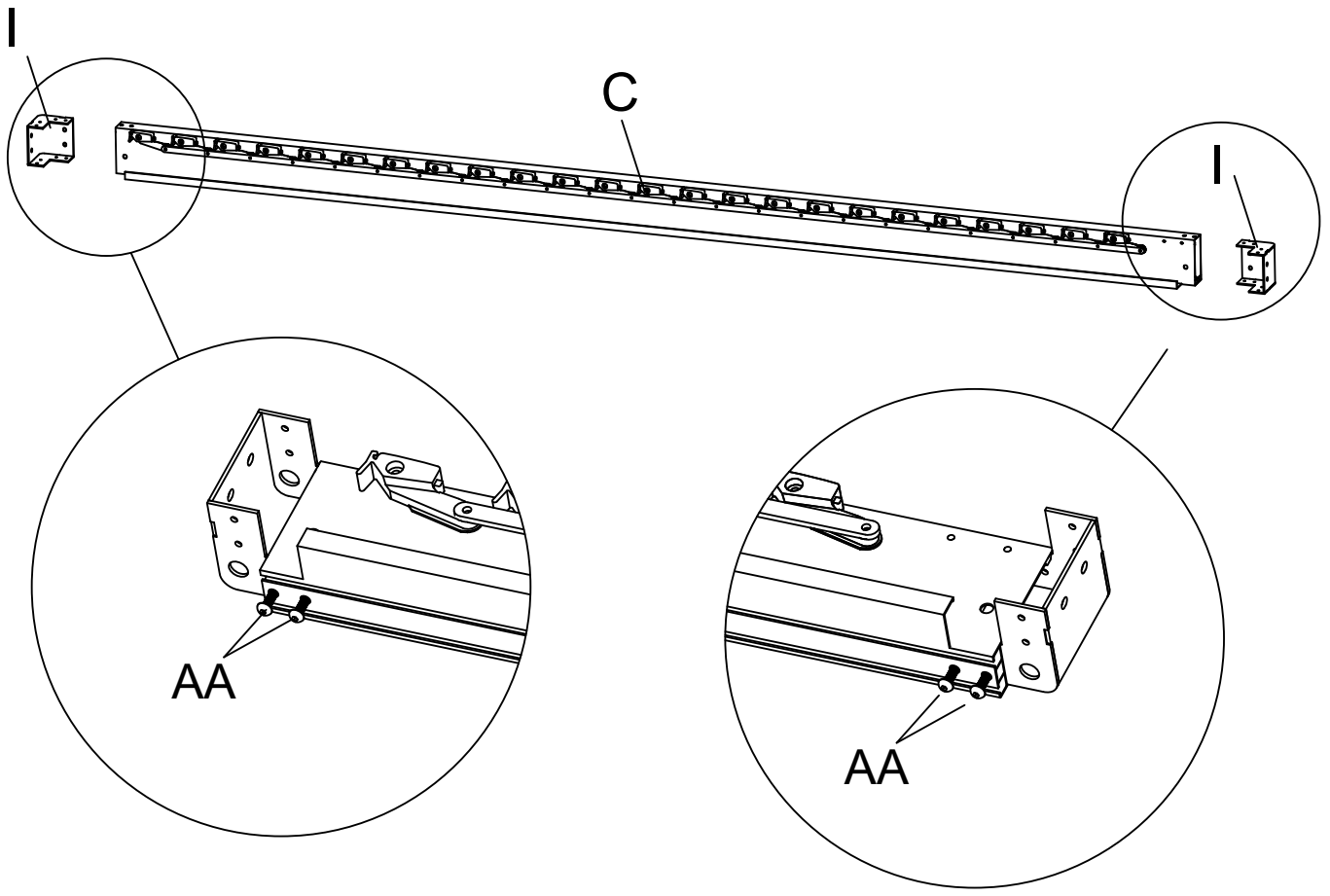
Step 2




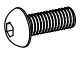

Parts

B	1		AA	4	 M6*20
I	2				

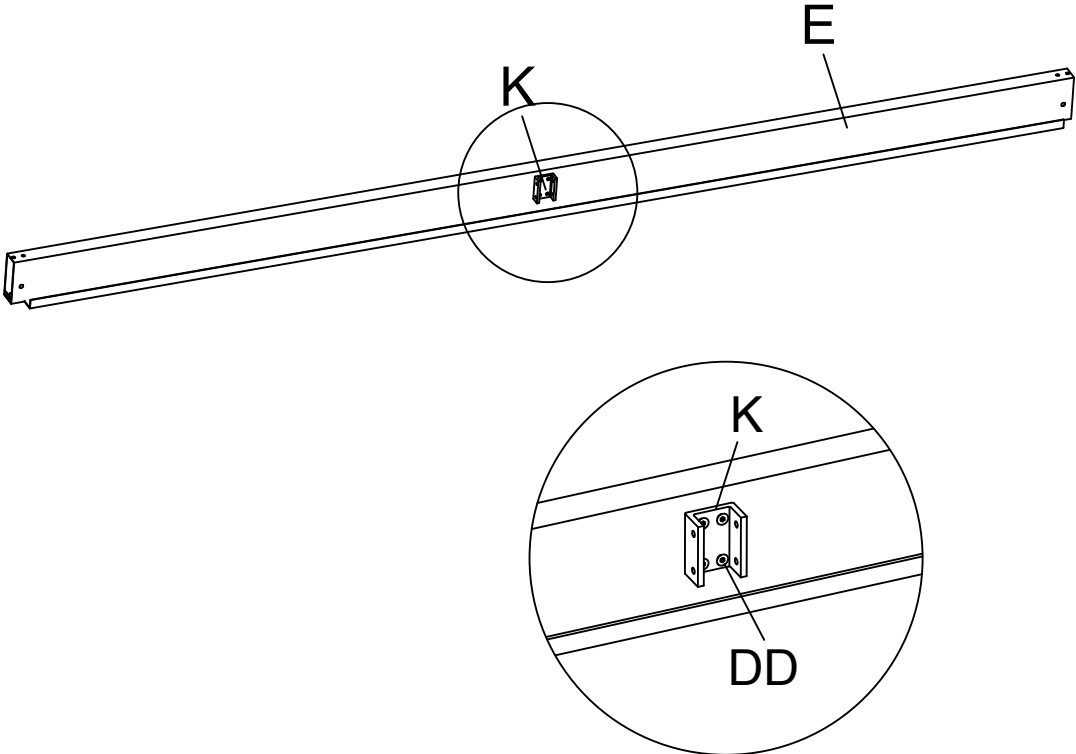
Step 3



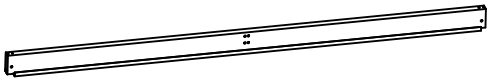


Parts

C	1		AA	4	 M6*20
I	2				

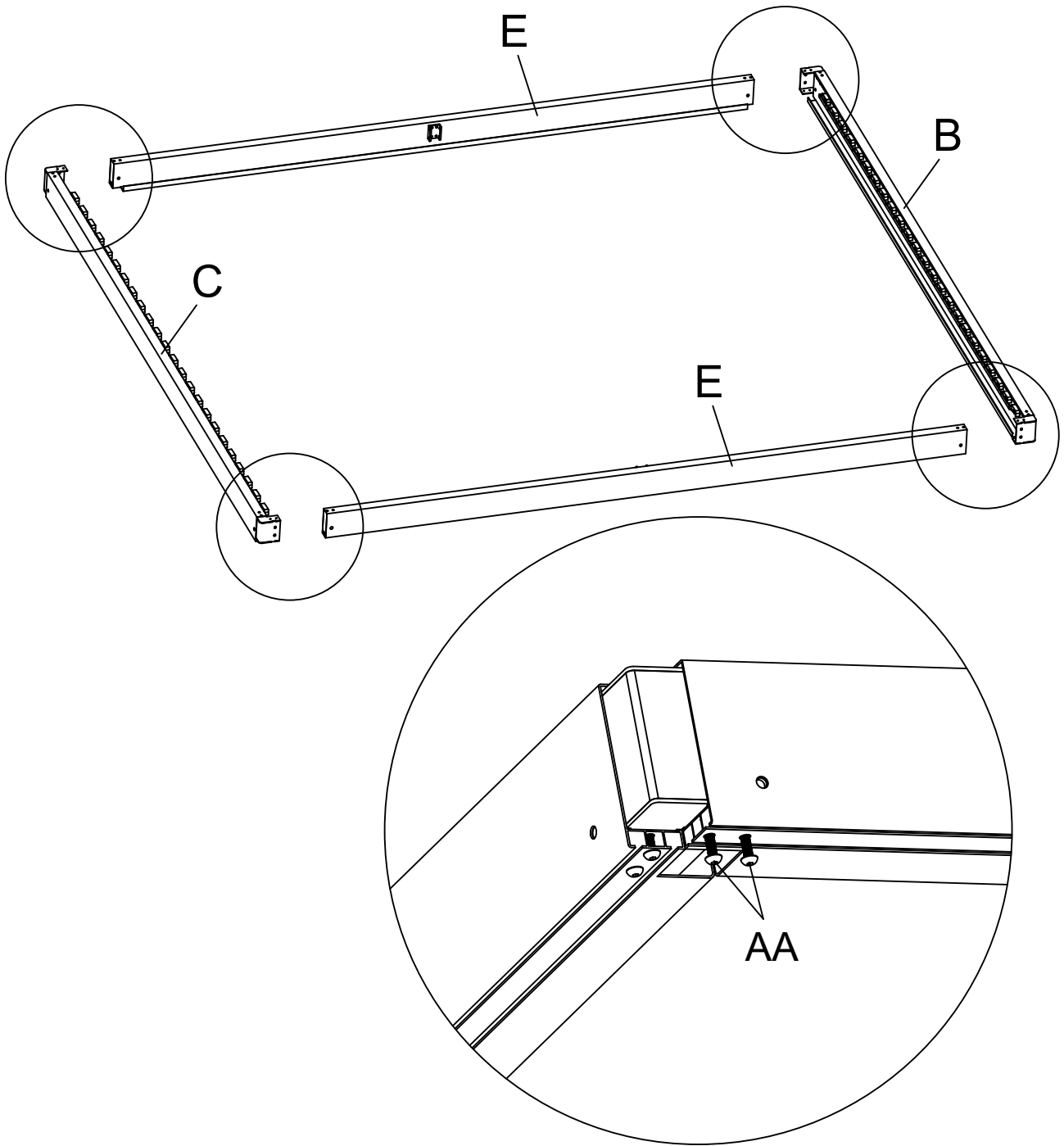
Step 4



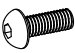
Parts

E	2		DD	8	 M6*15
K	2				

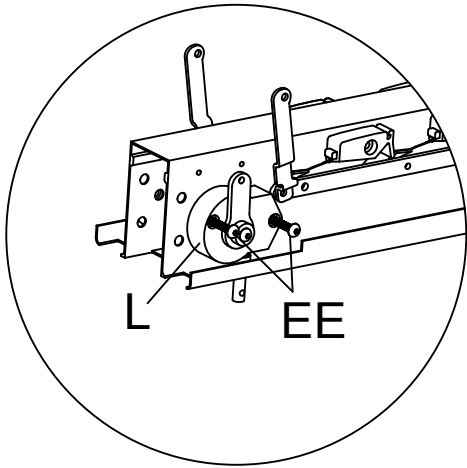
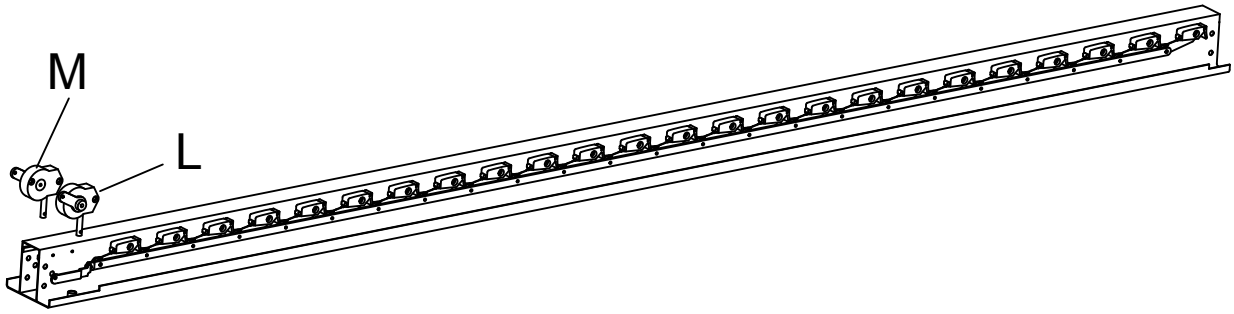
Step 5



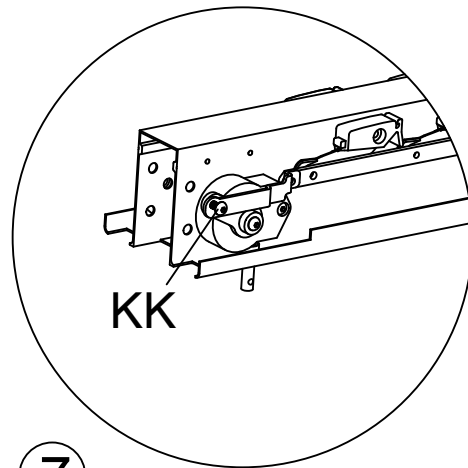
Parts

AA	8	 M6*20
----	---	---

Step 6




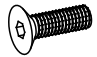



6



7

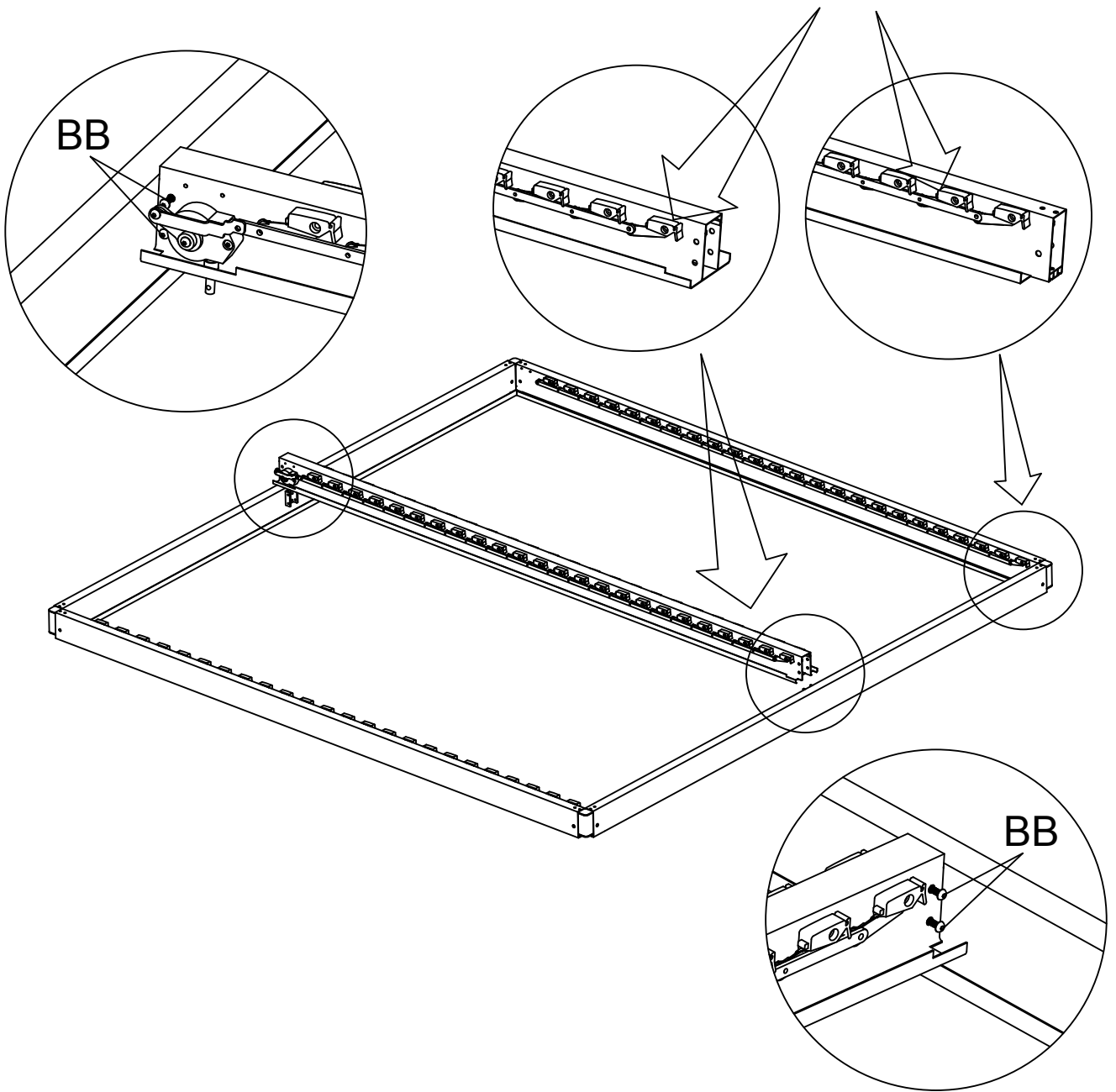
Insert the screwdriver through the hole in the lower part of the louvre mechanism (Part L & M) and rotate the arm to an upright position.

Parts


D	1		KK	2	 M6*13
L	1		EE	4	 M6*35
M	1				

Step 7

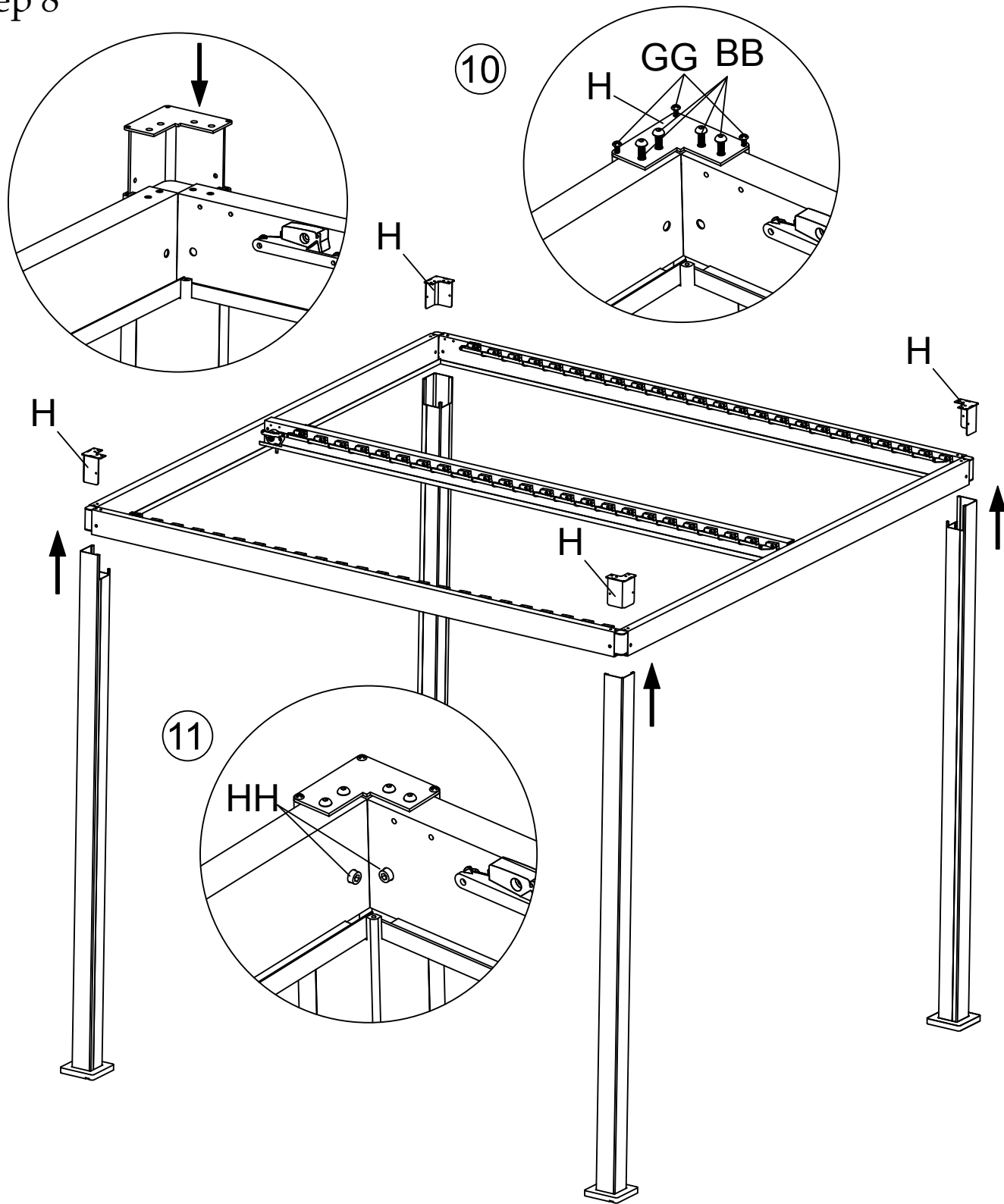
Please note: Make sure you keep the plastic part in the tube facing in the same direction



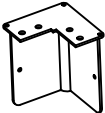



Parts

BB	8	 M6*15
----	---	---

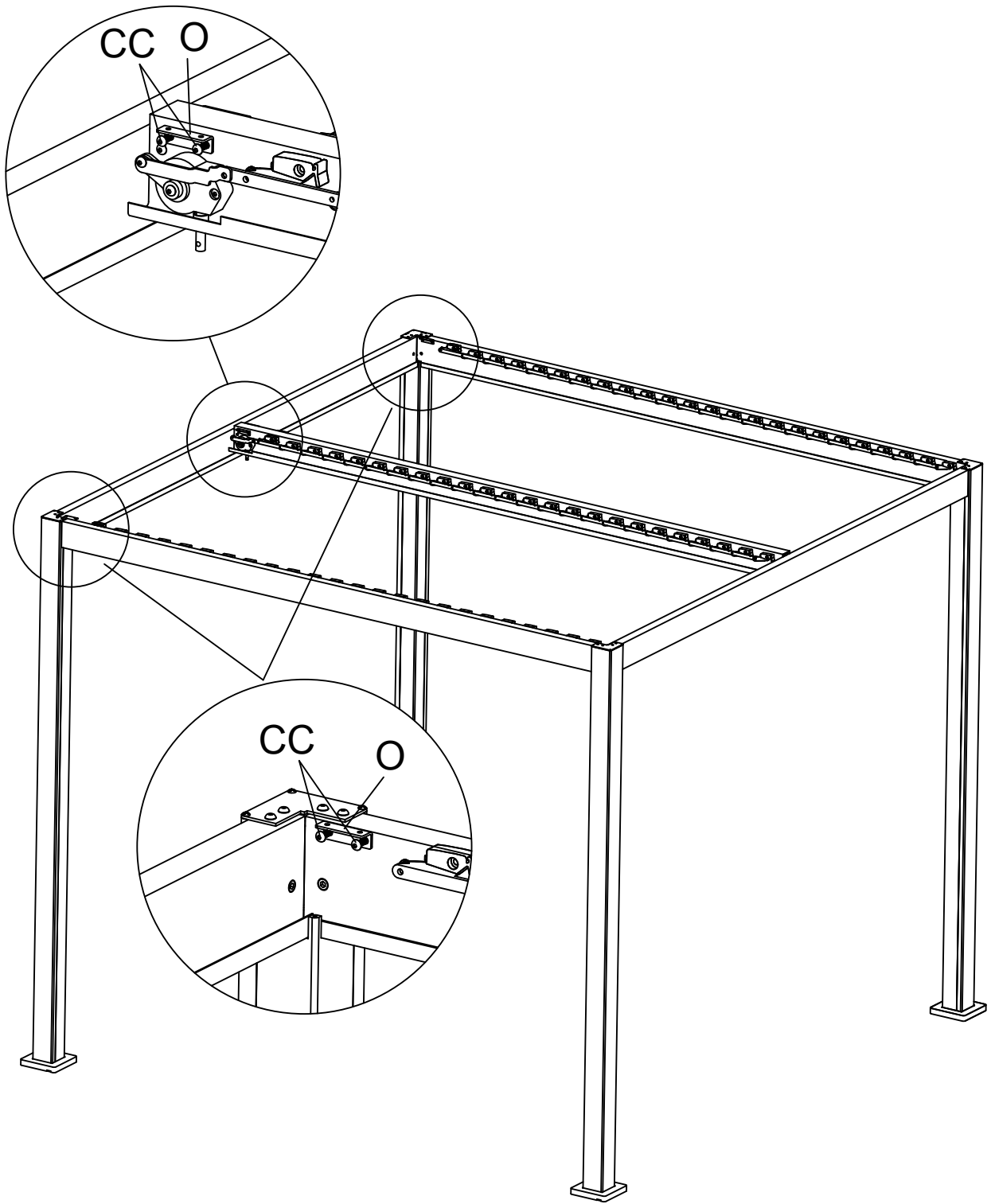
Step 8



Parts

H	4		BB	16	 M6*15
HH	8		GG	12	 M5*12

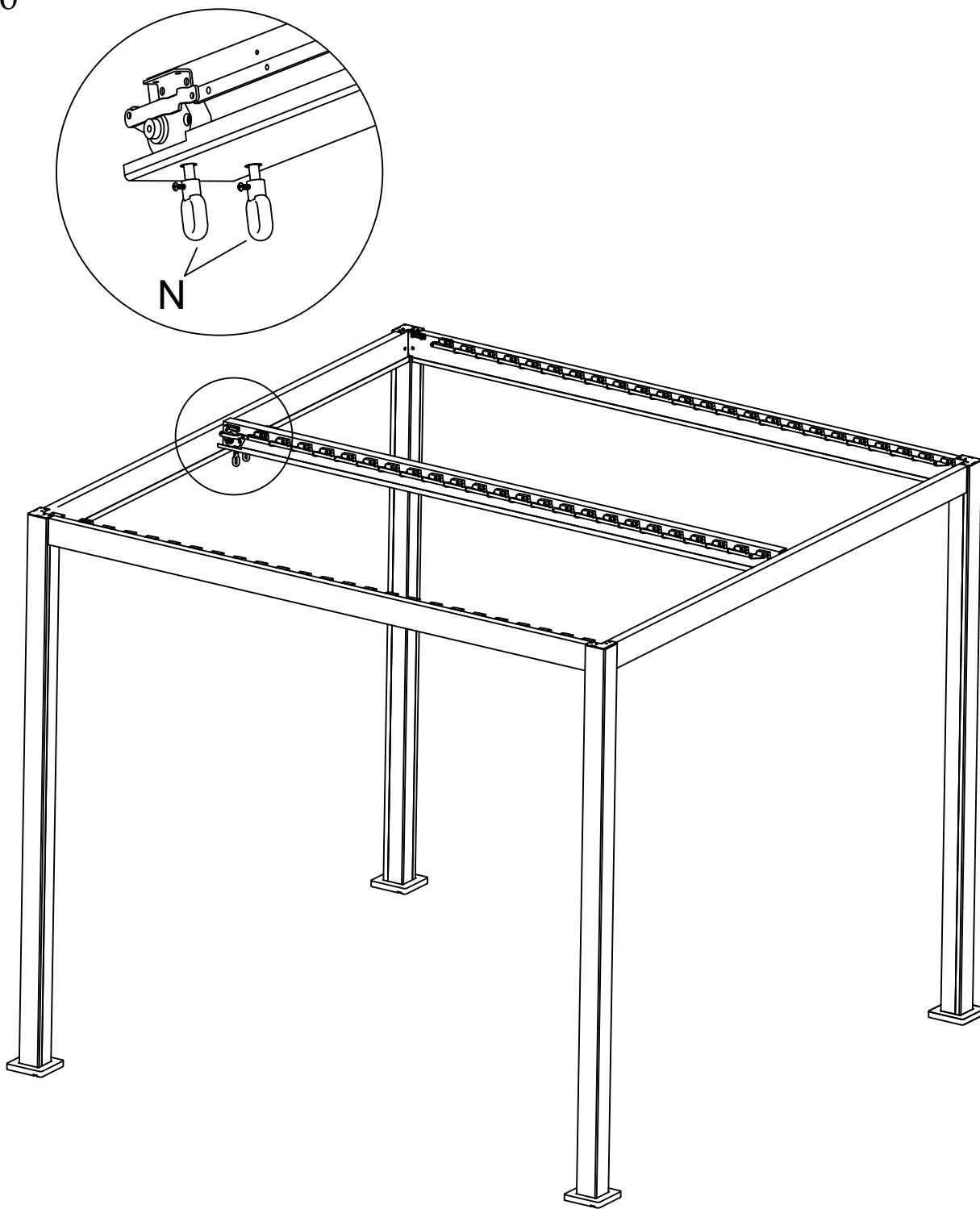
Step 9





Parts

O	4		CC	8	 M6*10
---	---	---	----	---	---

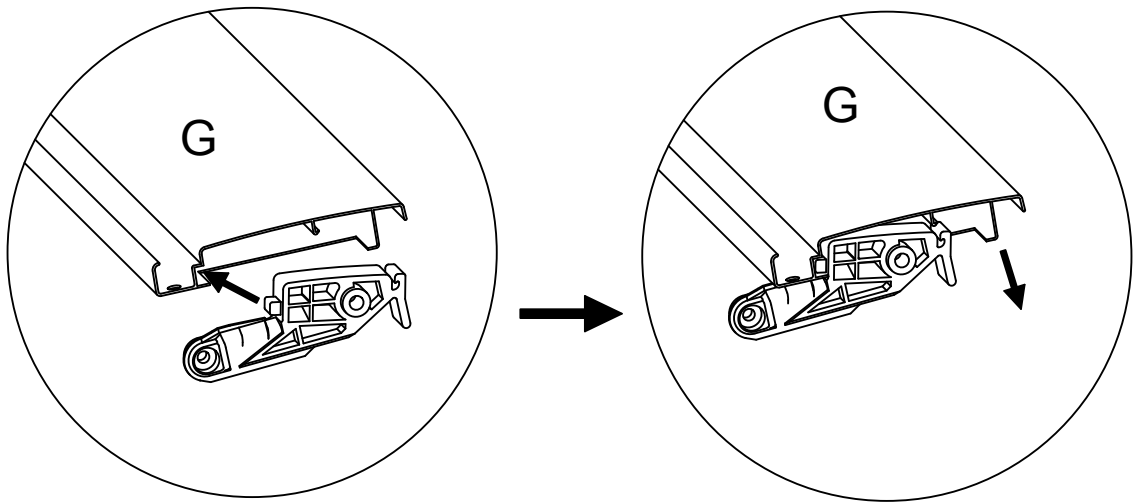
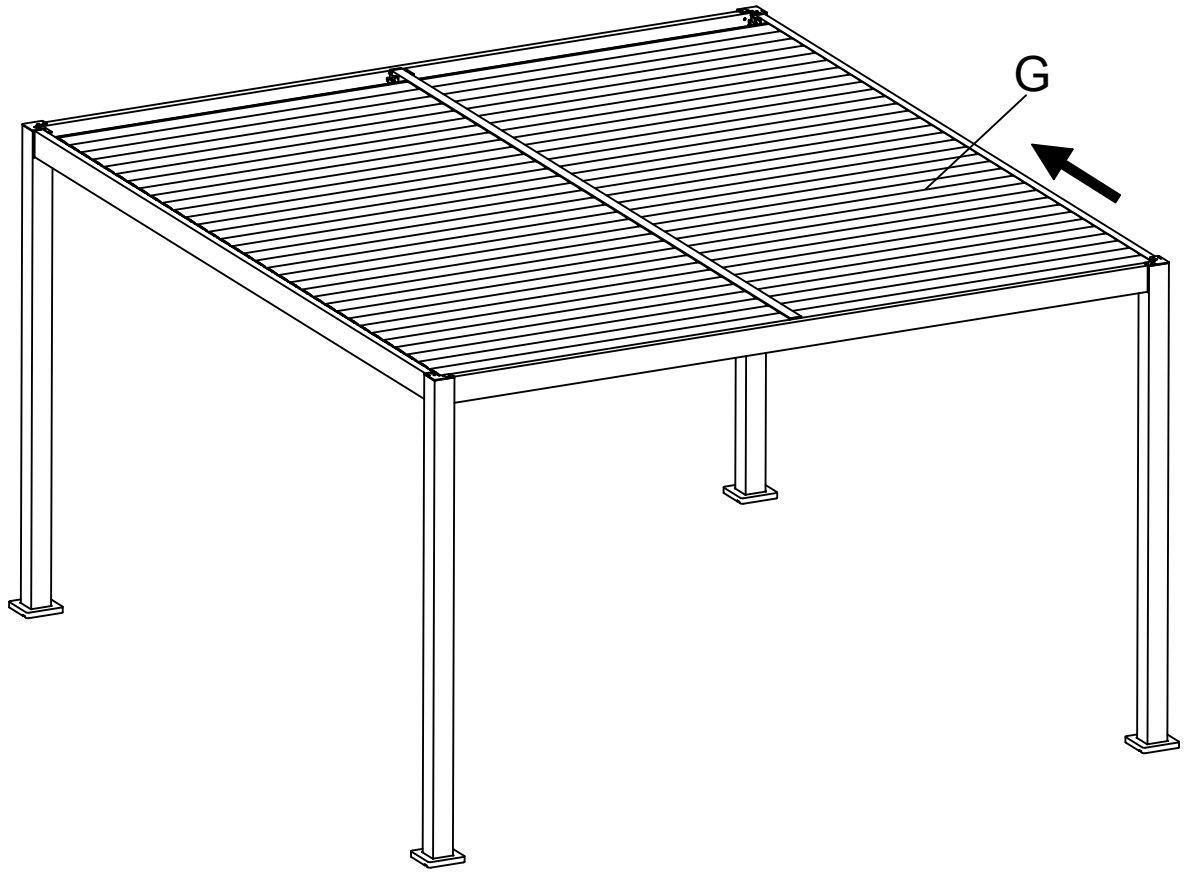
Step 10




Parts

M	2		 M5*18
---	---	---	--

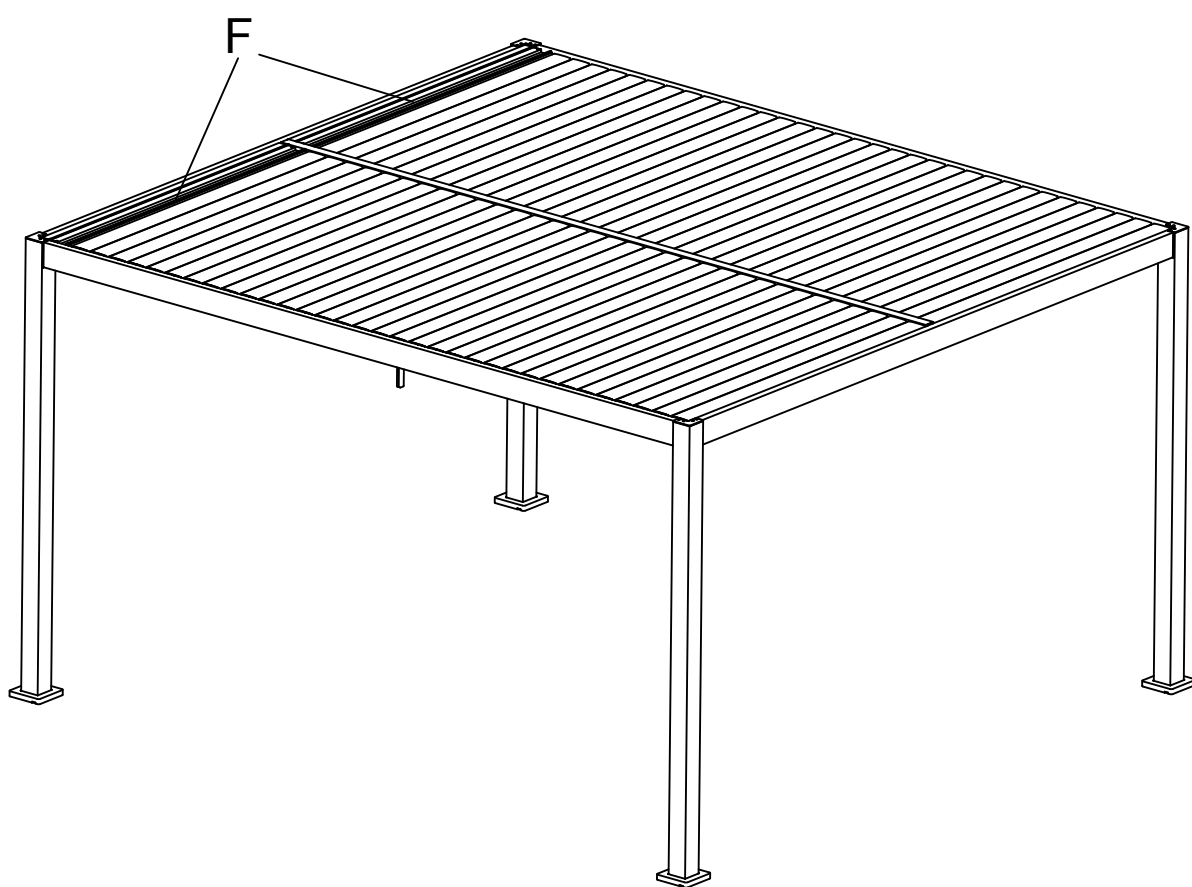
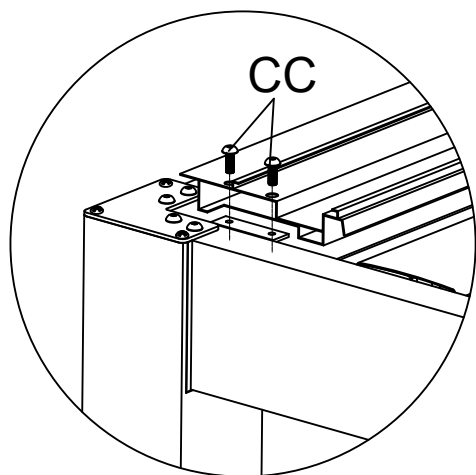
Step 11





Parts

G	48	
---	----	---

Step 12



Parts

F	2		CC	8	 M6*10
---	---	---	----	---	---