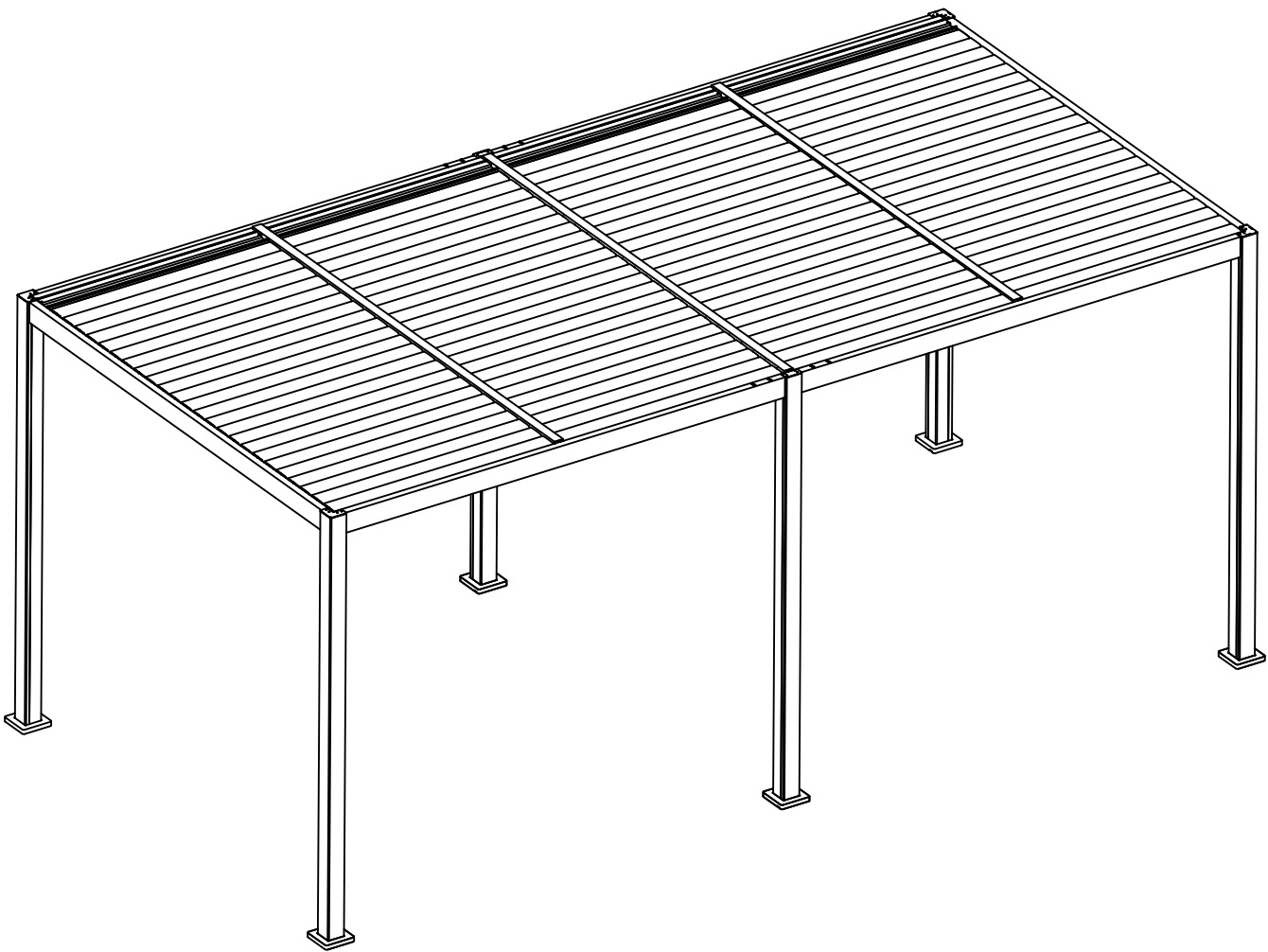


Assembly Instruction for Cube 3.6x 6m Pergola

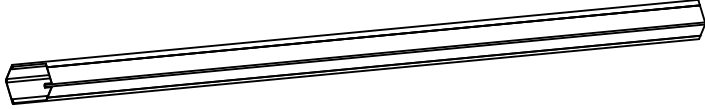
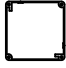
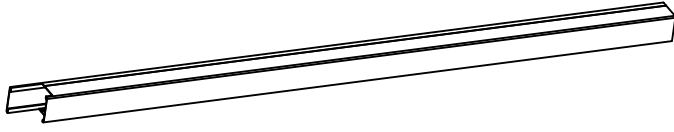

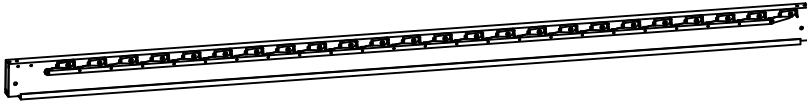

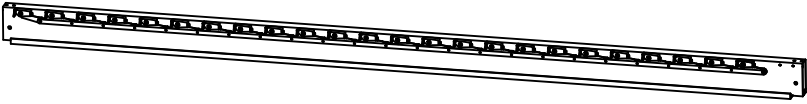

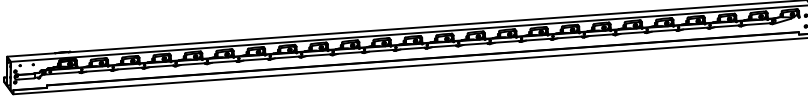

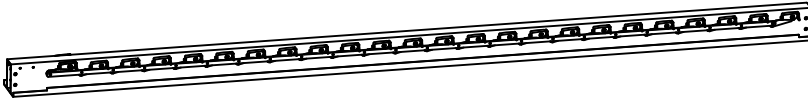

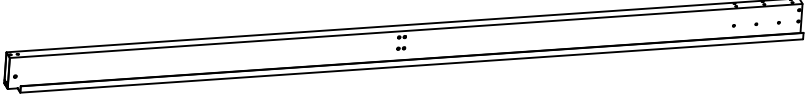

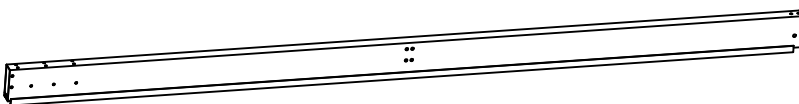




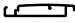
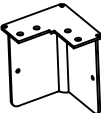
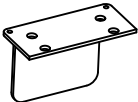

Welcome to your new Royce Cube Pergola.
Please read through the instructions carefully before you start.

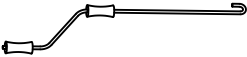





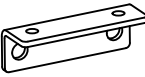
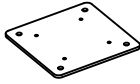


Please retain your instructions for future reference


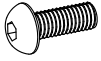

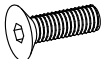






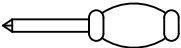
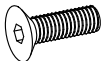


Cube Product Support
www.royce-cube.co.uk

**ROYCE**

PART NO	DESCRIPTION	QTY	PART NAME
A	 	4	Leg
A1	 	2	Leg
B	 	1	Outer edge beam
C	 	1	Outer edge beam
D	 	2	Centre beam
D1	 	1	Centre beam (no holes)
E	 	2	End beam
E1	 	2	End beam
F	 	4	Fixed louvre
G	 	120	Roof louvre
H		4	Corner cap
H1		2	Centre leg cap
I		4	Beam connector

PART NO	DESCRIPTION	QTY	PART NAME
J		1	Winding handle
K		6	Middle beam fitting
L		2	Louvre mechanism
M		2	Louvre mechanism
N	  M5*18	4	Winding ring
O		8	End louvre bracket
P		6	Foot plate
Q		6	Foot plate cover
R		2	Centre beam connector

PART NO	DESCRIPTION	QTY	PART NAME
AA	 M6*20	16	
BB	 M6*15	48	
CC	 M6*10	60+1	
DD	 M6*15	24	
EE	 M6*35	8	
FF	 M5*15	24	
GG	 M5*15	16	
HH		8	
II	 5mm  4mm	3	
JJ		1	
KK	 M6*13	4	

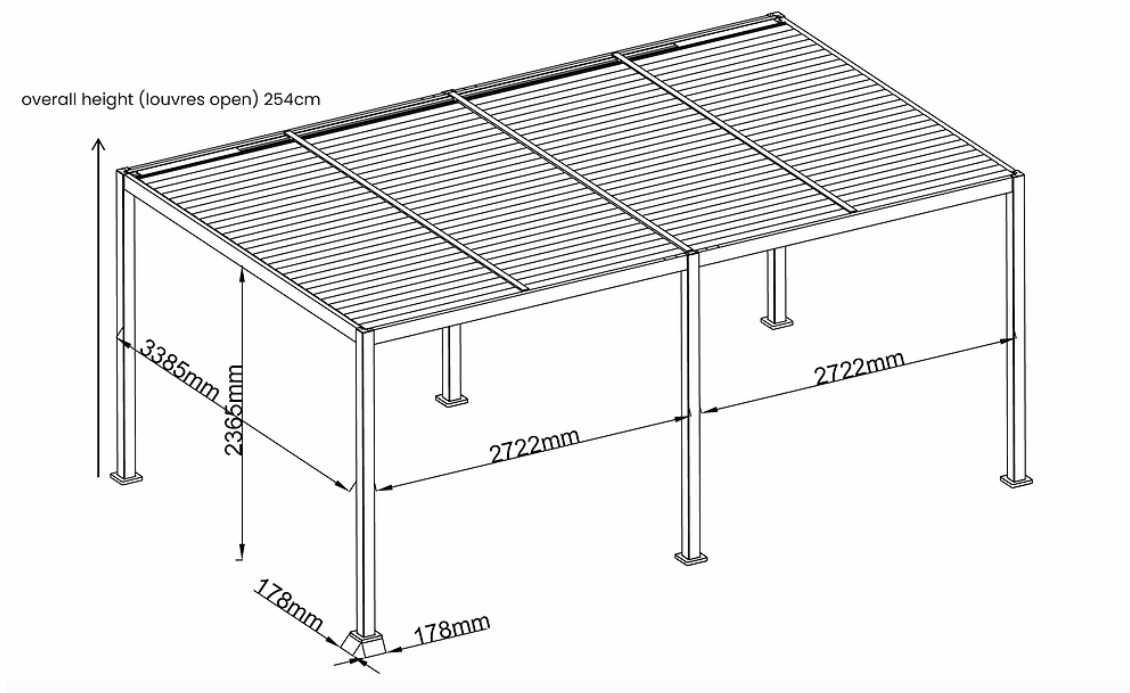
Should you need any replacement parts contact your Royce Cube stockist or complete the Parts Request Form:

<https://www.norfolkleisurelifestyle.com/contact-us>

Cube 3.6x6m dimensional footprint



ROYCE CUBE Pergola Internal Dimensions - 3.6M x 6M



Assembly tips:

- We recommend that the installation of your Royce Cube Pergola is carried out by an experienced person.
- Please read through the instructions first before you start.
- You will need 2 persons to complete the assembly which will take approximately 4-6 hours.
- First remove all the components and fittings and place them on a clean area to protect from damage. Check that you have all the parts (see Parts List) before you start.

Care and Maintenance:

The Royce Cube Pergola is a permanent structure and should be left assembled throughout the year.

- We recommend that fixings are checked at the start of the season to ensure they are tight.
- During extreme weather we recommend that the louvres and Pull Down Screens are opened to help avoid any structural damage.
- Clean with fresh water and a sponge or cloth. Do not use harsh detergents or abrasive materials.
- Check the gutter system and louvres are clear of leaves and debris that might hinder the water flow.

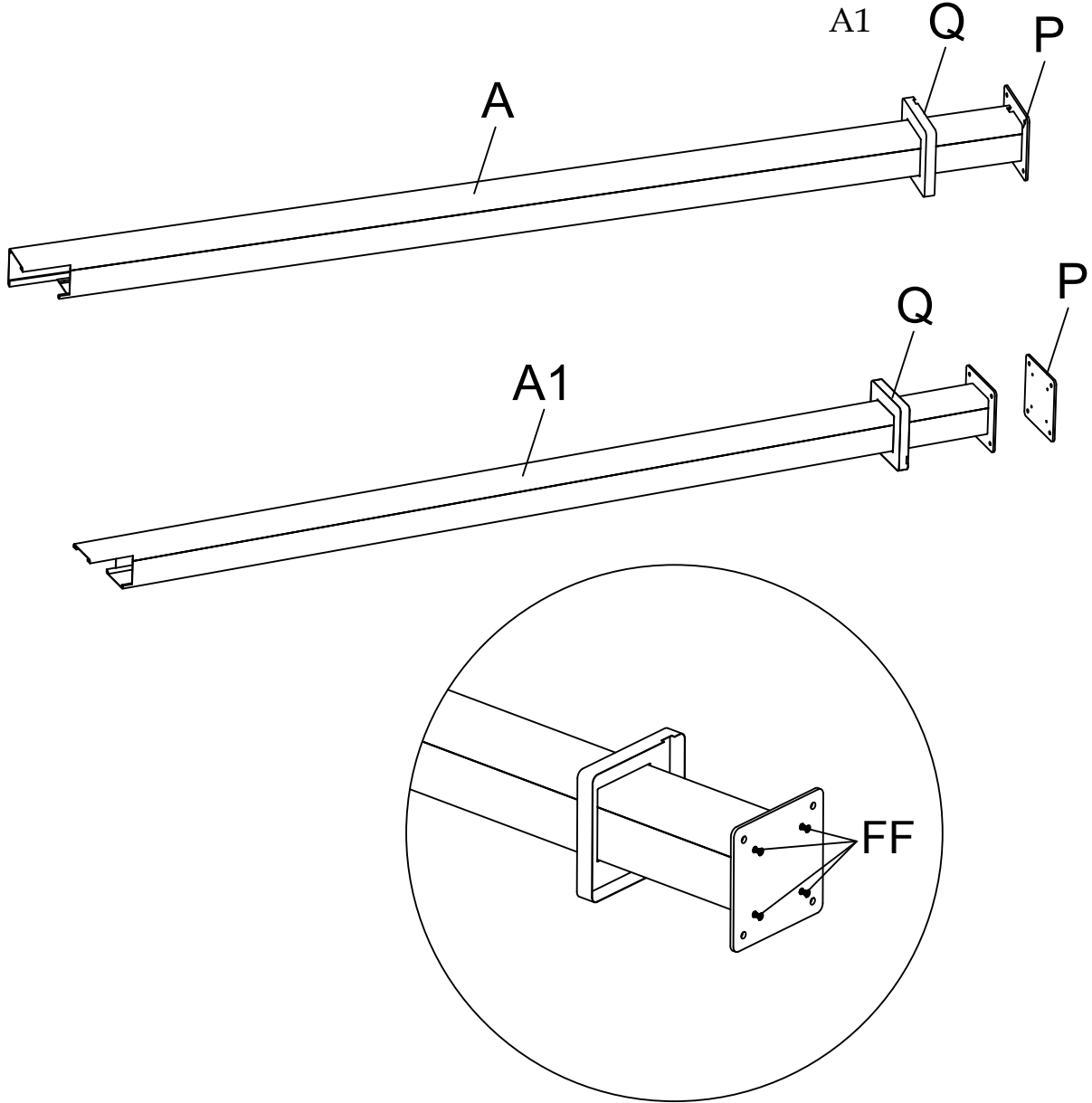
Warranty:

- The main structure carries a 5 Year Limited Warranty against manufacturing defects and faults.
- Cube Pull Down Screens and LED lights 2 Years Limited Warranty. Further information is available on request or via our website.








Step1

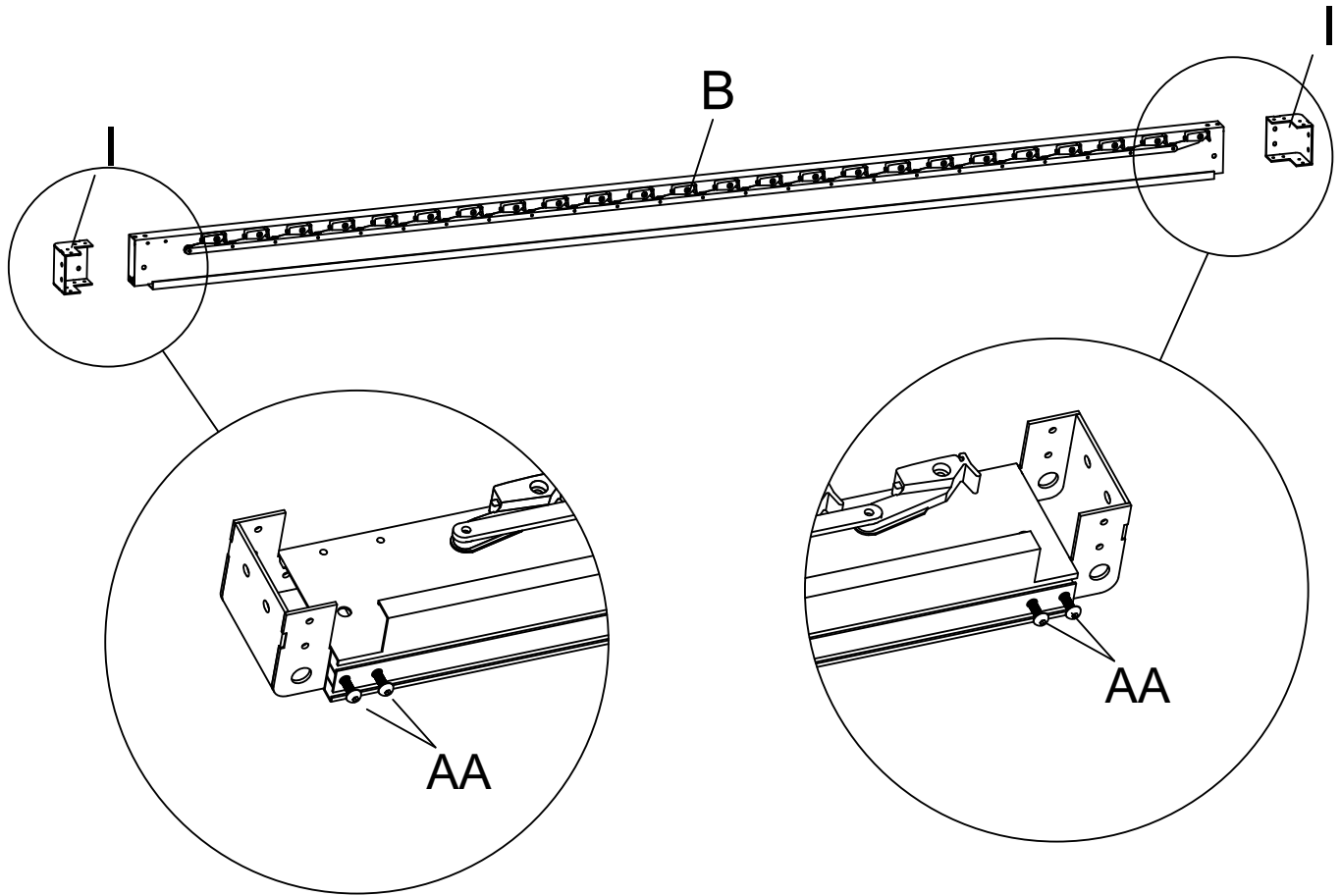
Ensure that the cut out on Q is the same as the cut out on A and A1






Parts

A	4		Q	6	
A1	2		FF	24	 M5*12
P	6				

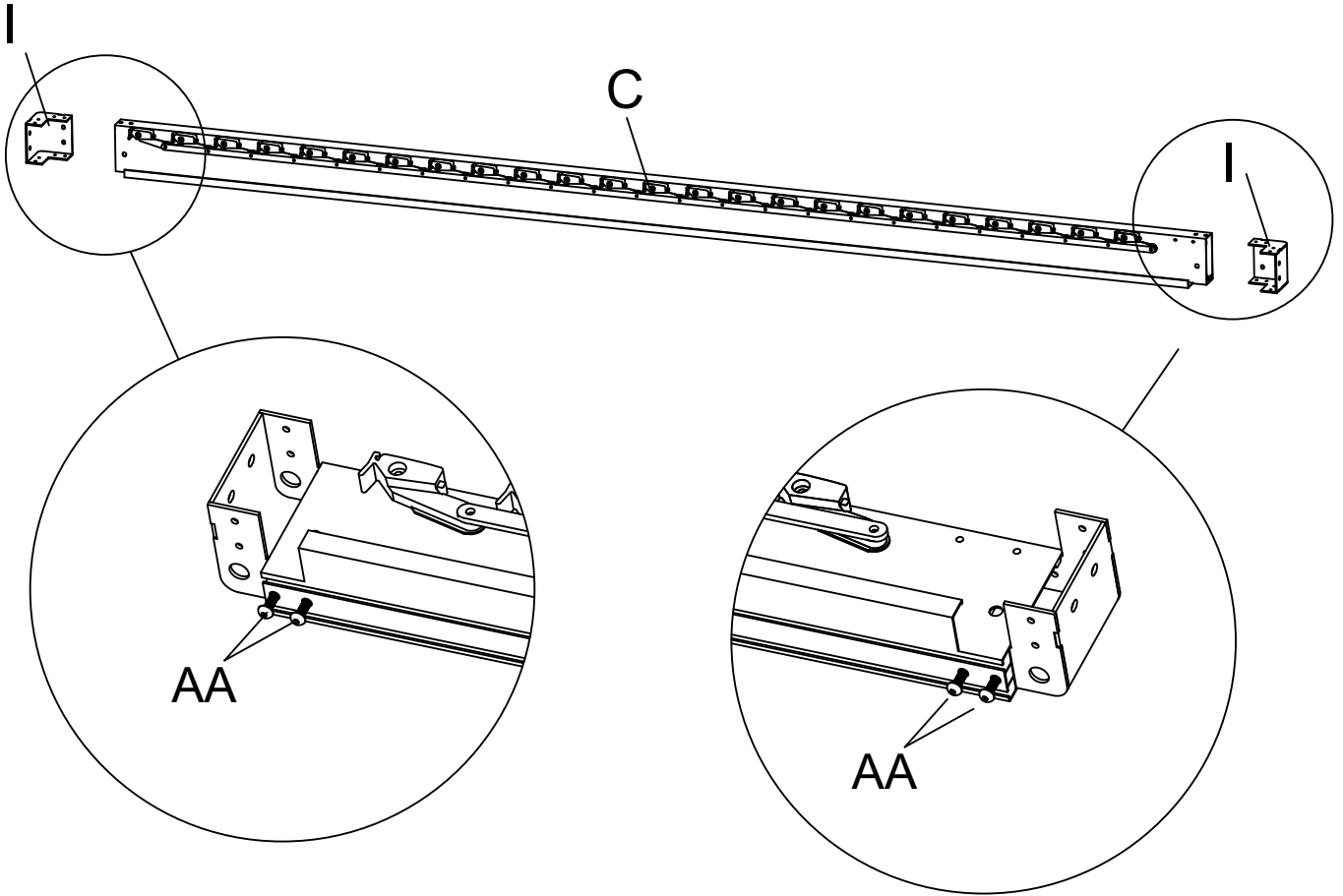
Step 2



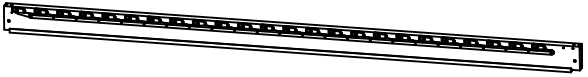

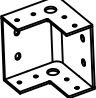
Parts

B	1		AA	4	 M6*20
I	2				

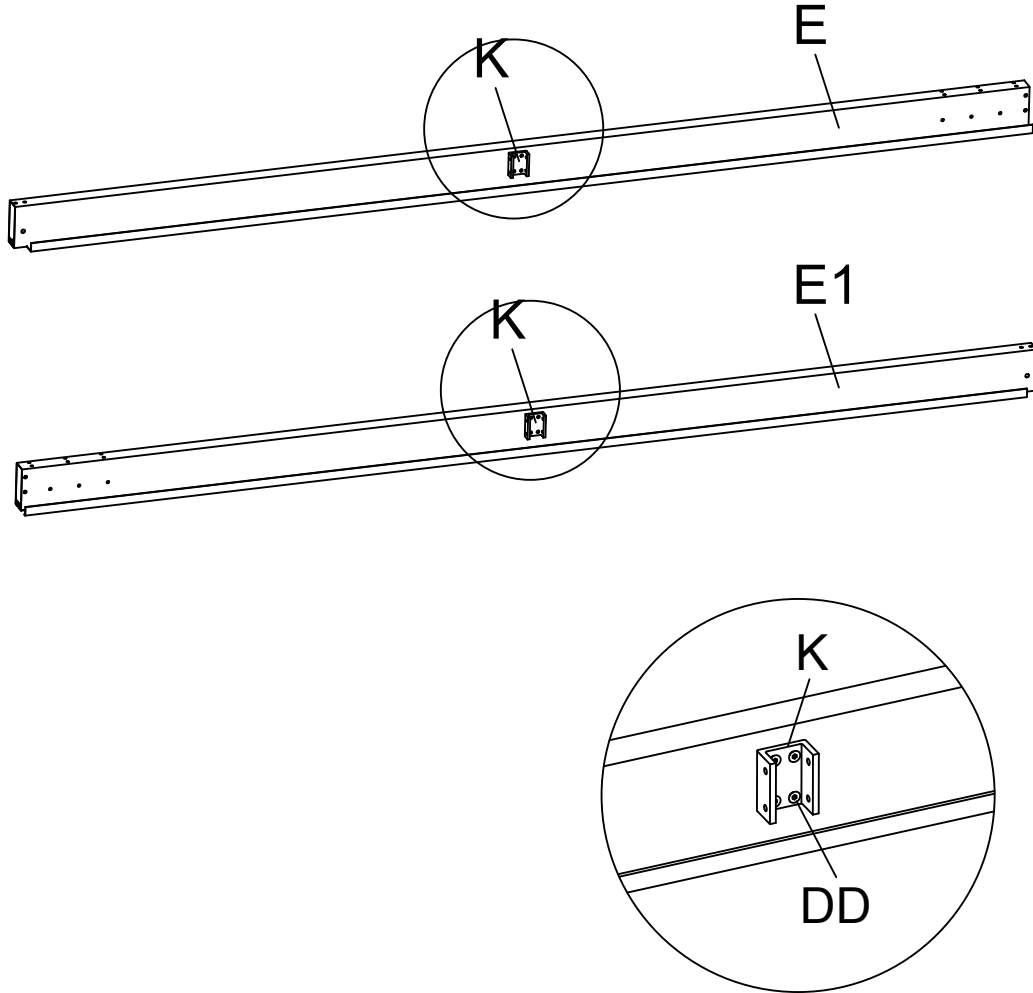
Step 3



Parts

C	1		AA	4	 M6*20
I	2				

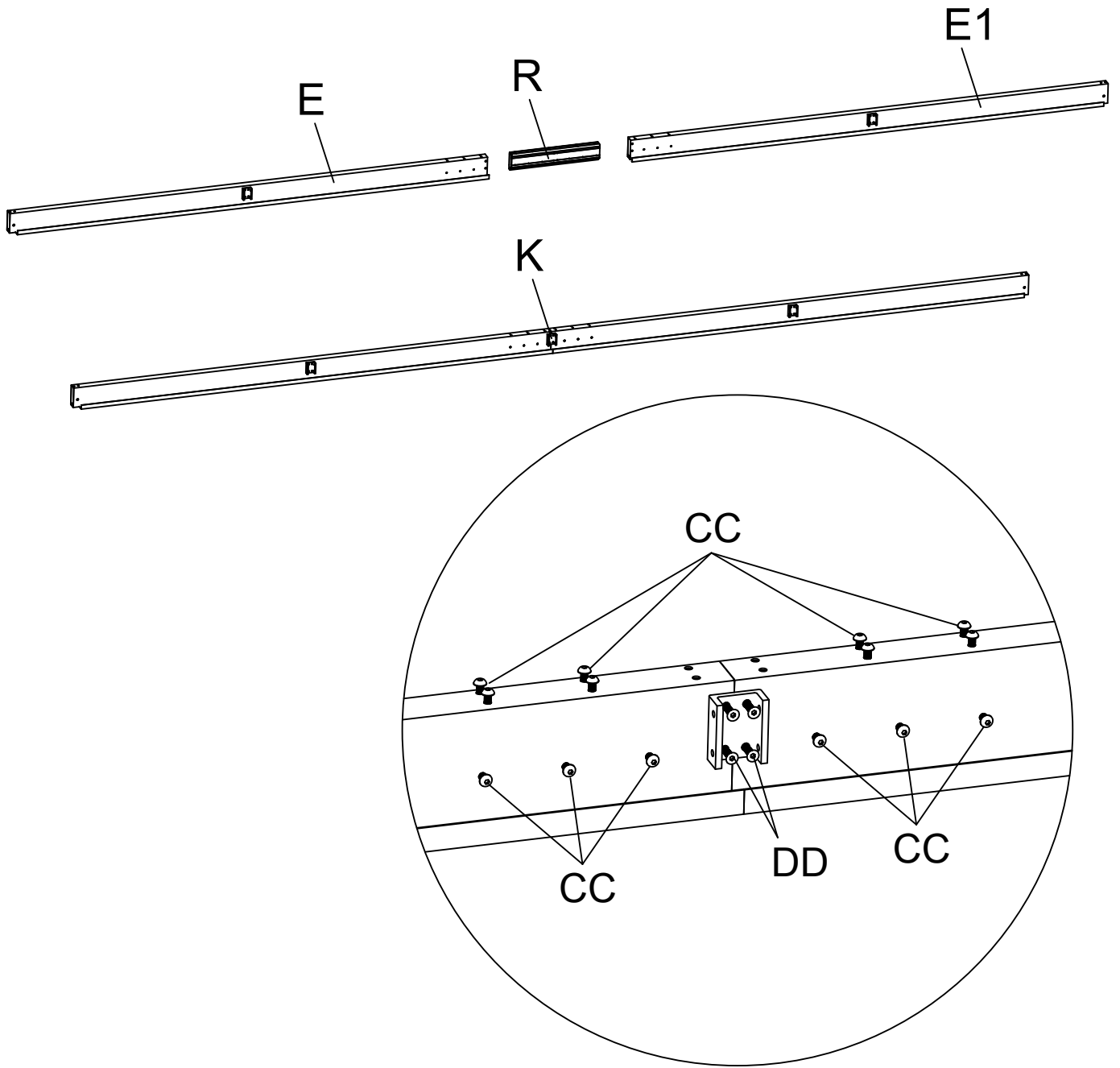
Step 4






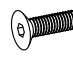
Parts

E	2		K	4	
E1	2		DD	16	M6*15

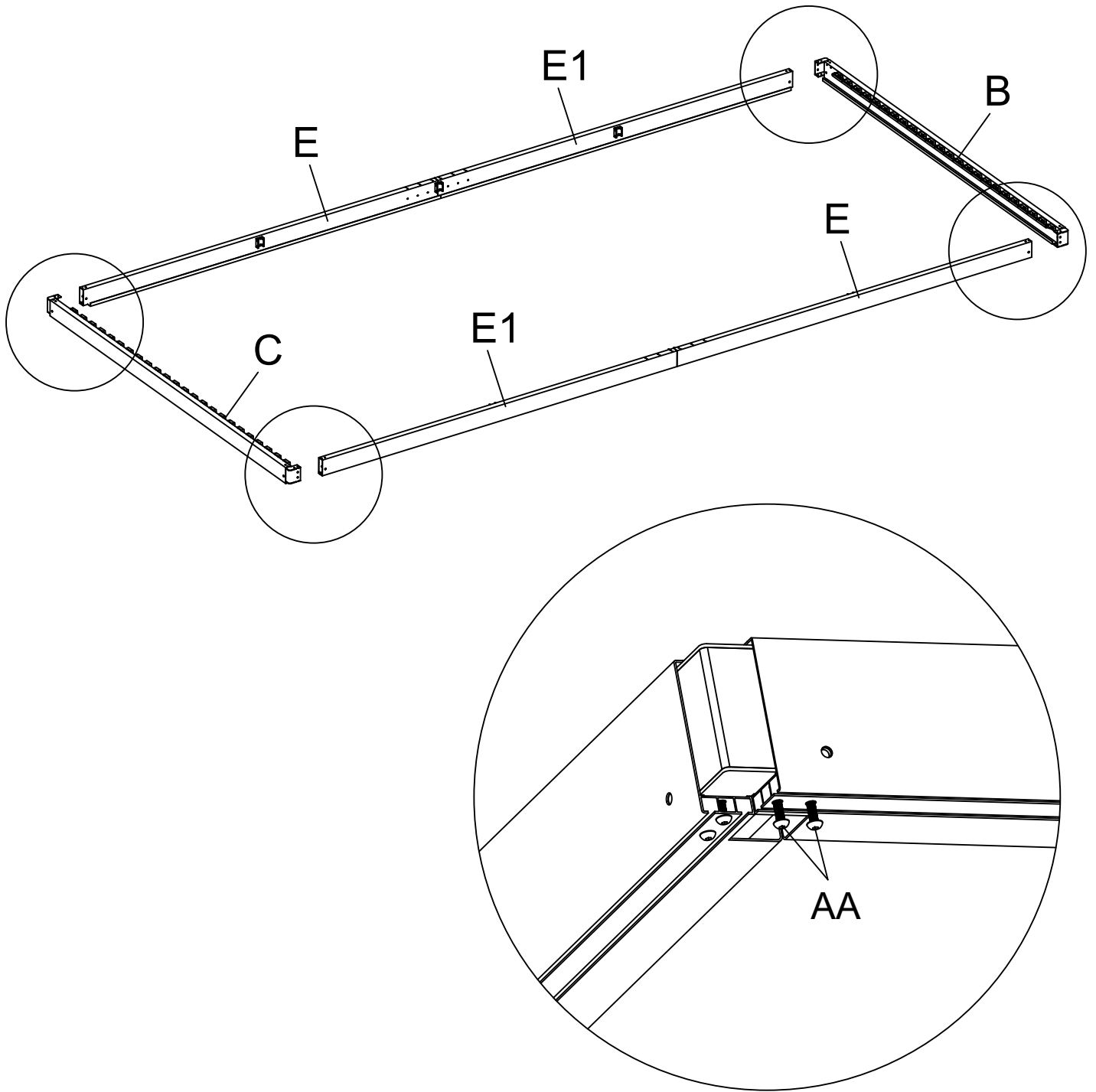
Step 5




Parts

K	2		CC	28	 M6*10
R	2		DD	8	 M6*15

Step 6

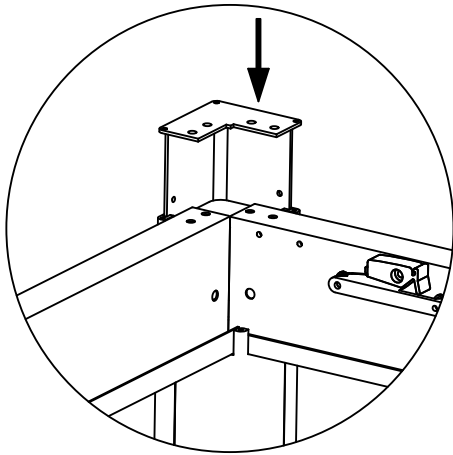


Parts

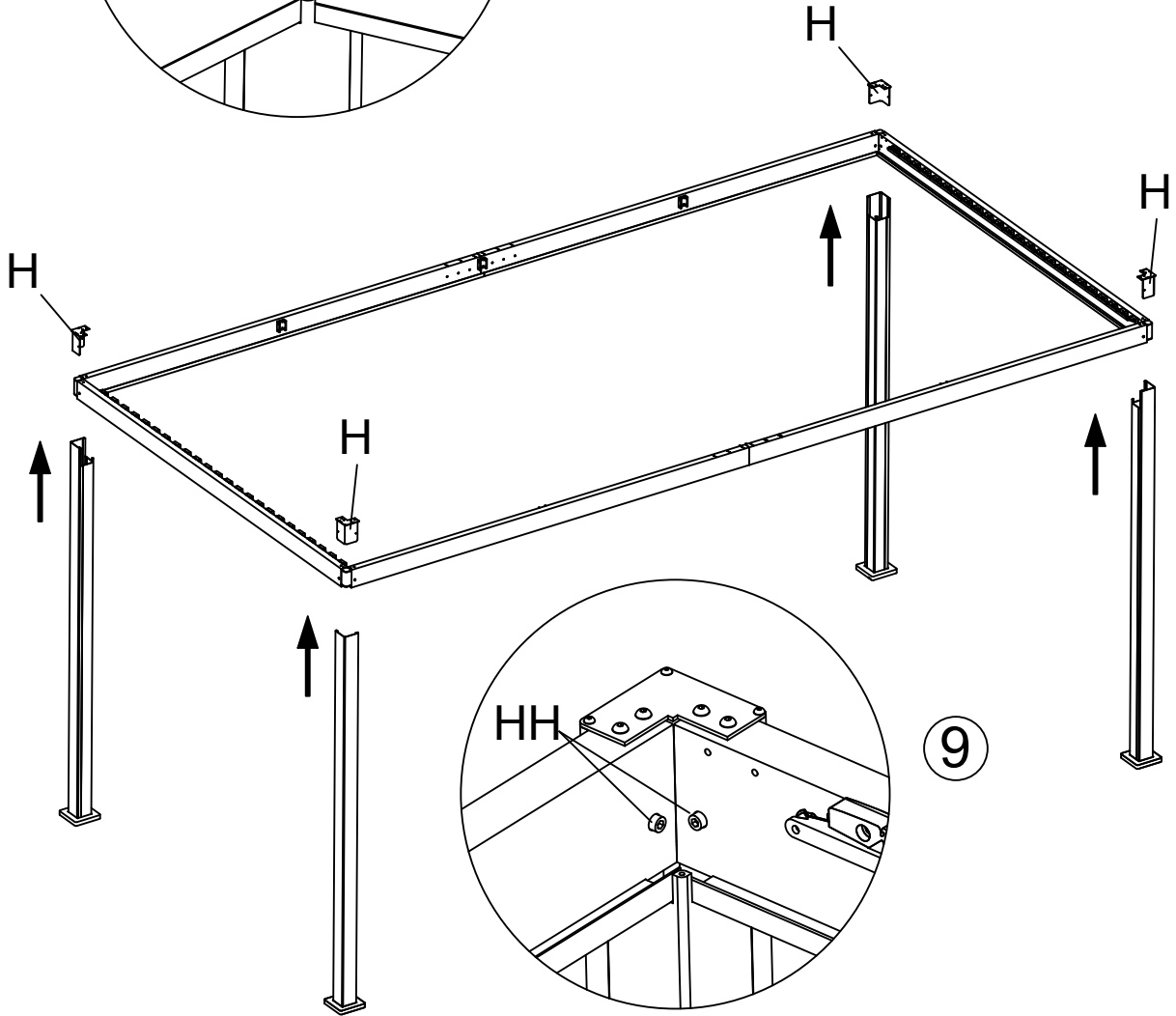
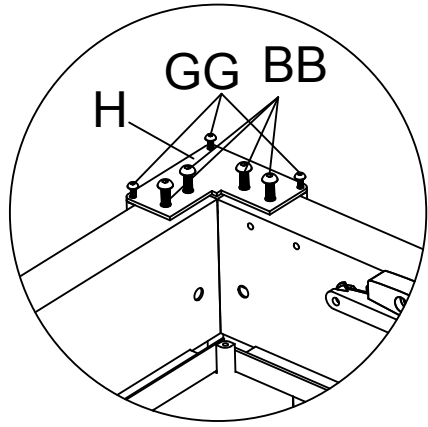
AA	8	 M6*20
----	---	---

Step 7

7

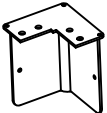





8

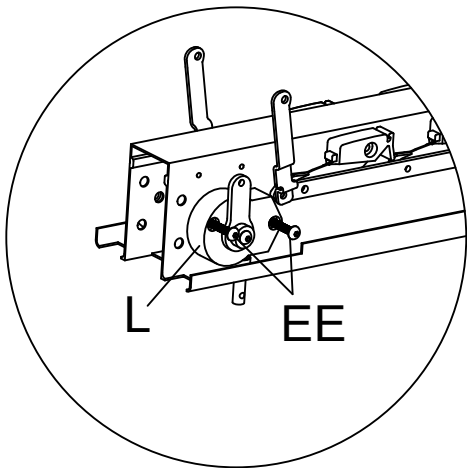
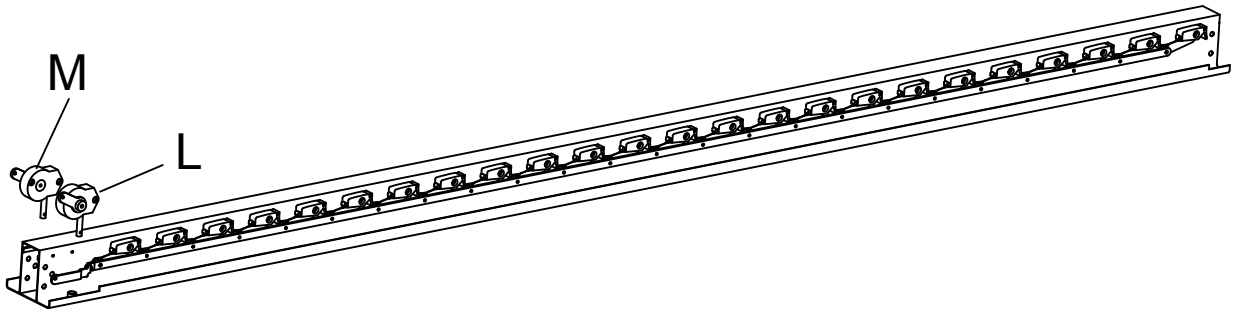


9

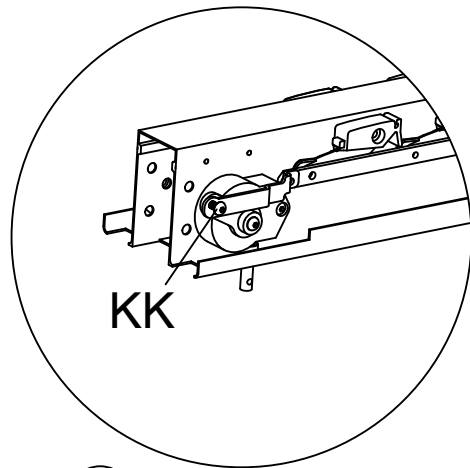
Parts

H	4		BB	16	 M6*15
HH	8		GG	12	 M5*12

Step 8








10



11

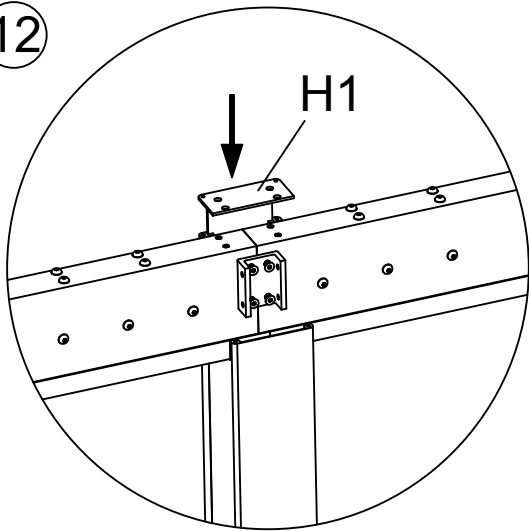
Insert the screwdriver through the hole in the lower part of the louvre mechanism (Part L & M) and rotate the arm to an upright position.

Parts

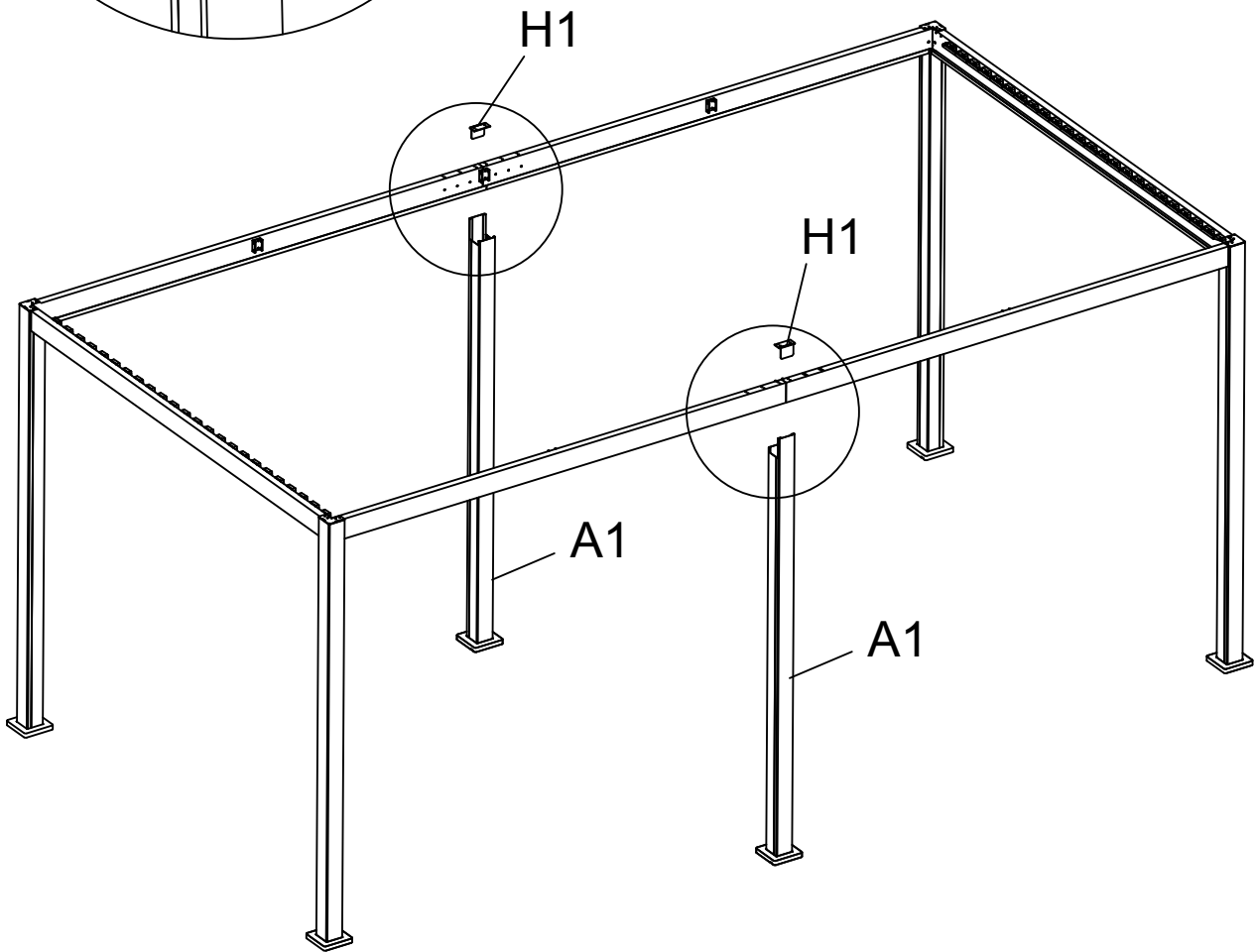
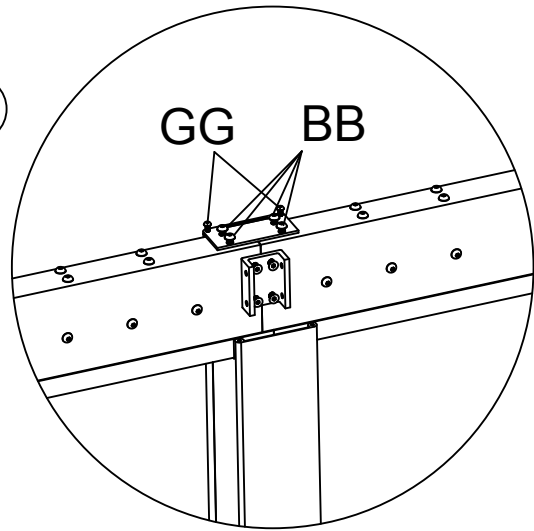
D	2		KK	4	 M6*13
L	2		EE	8	 M6*35
M	2				

Step 9

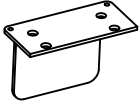


12



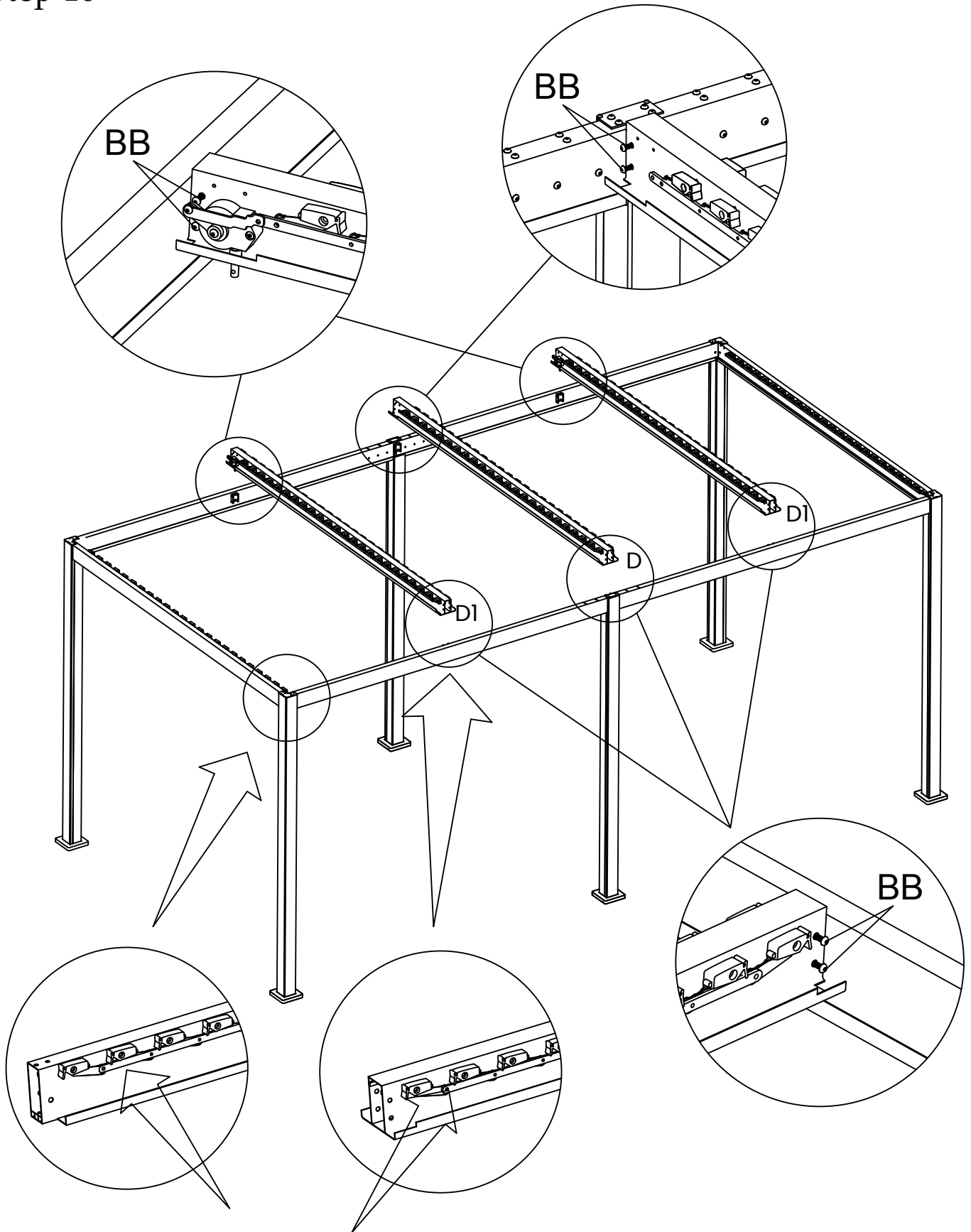
13



Parts


H1	2		BB	8	 M6*15
GG	4	 M5*12			

Step 10

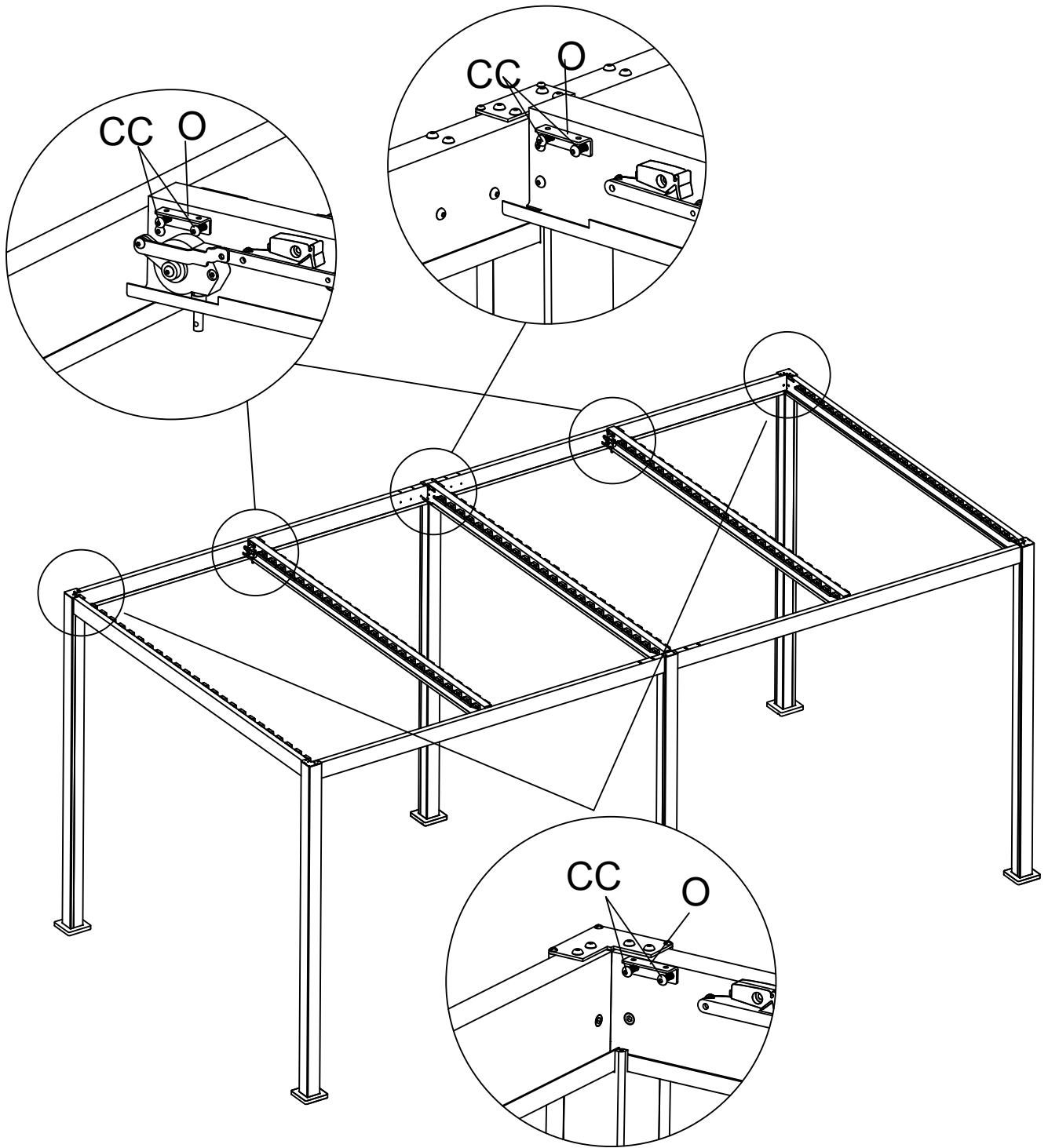


Please note: Make sure you keep the plastic part in the tube facing in the same direction

Parts

BB	24	 M6*15
----	----	---

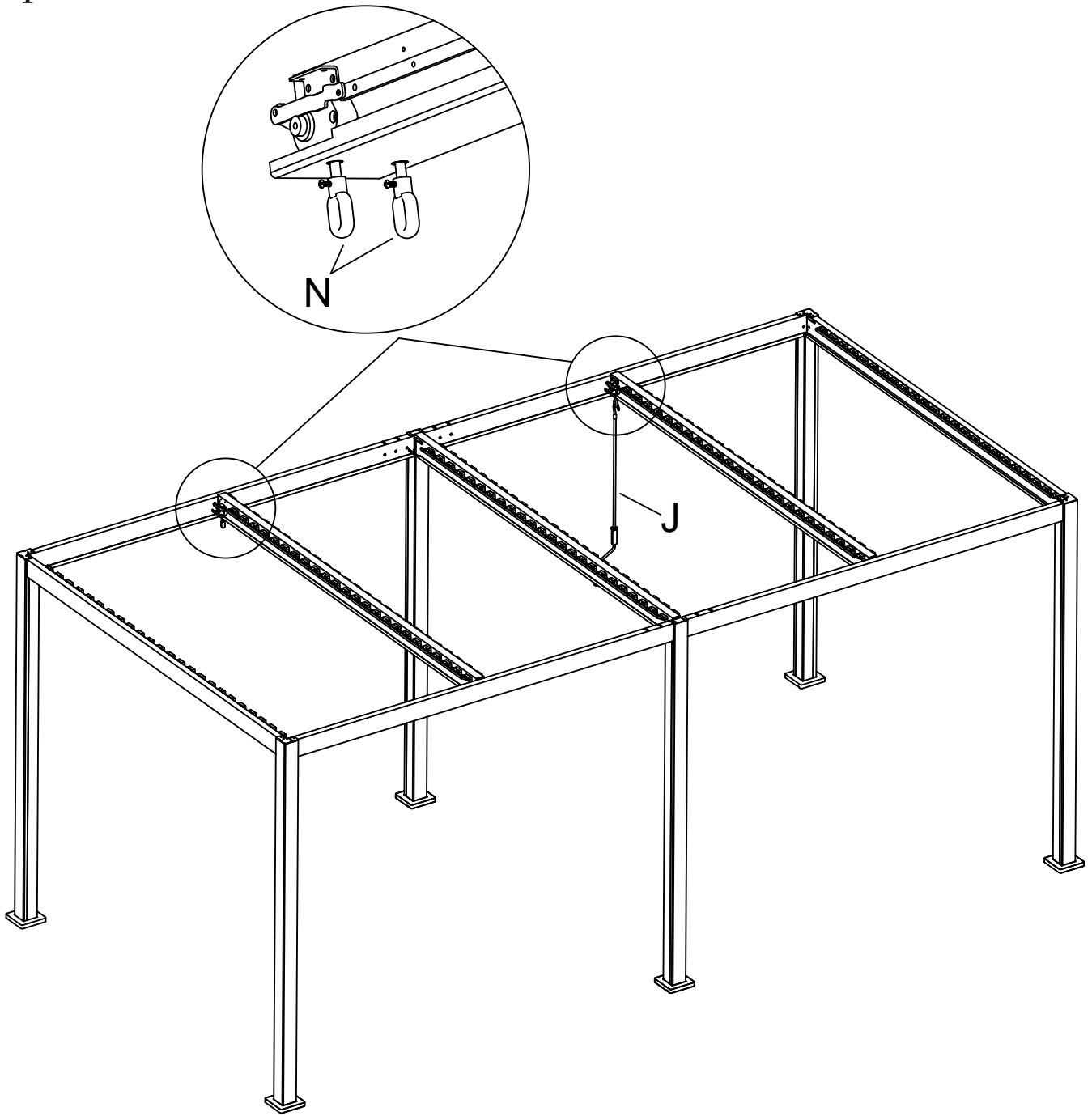
Step 11



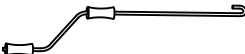


Parts

O	8		CC	16	 M6*10
---	---	---	----	----	---

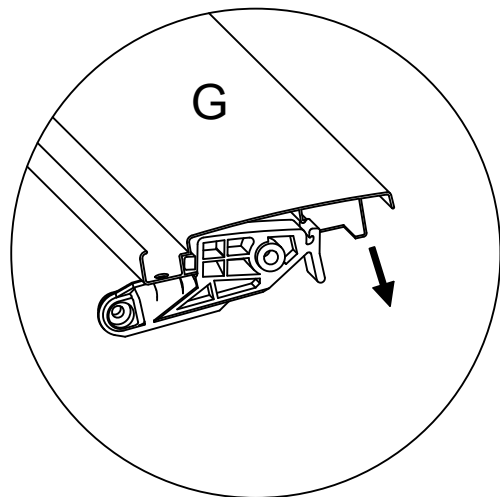
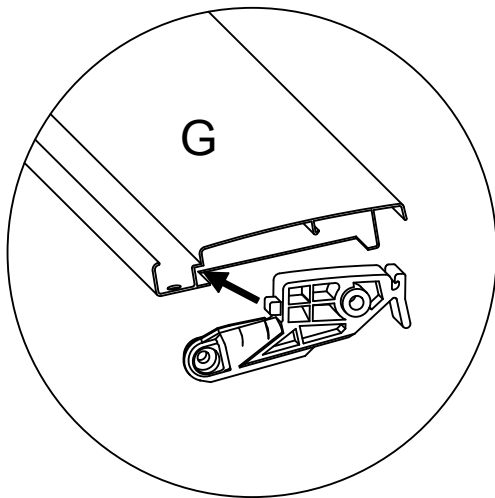
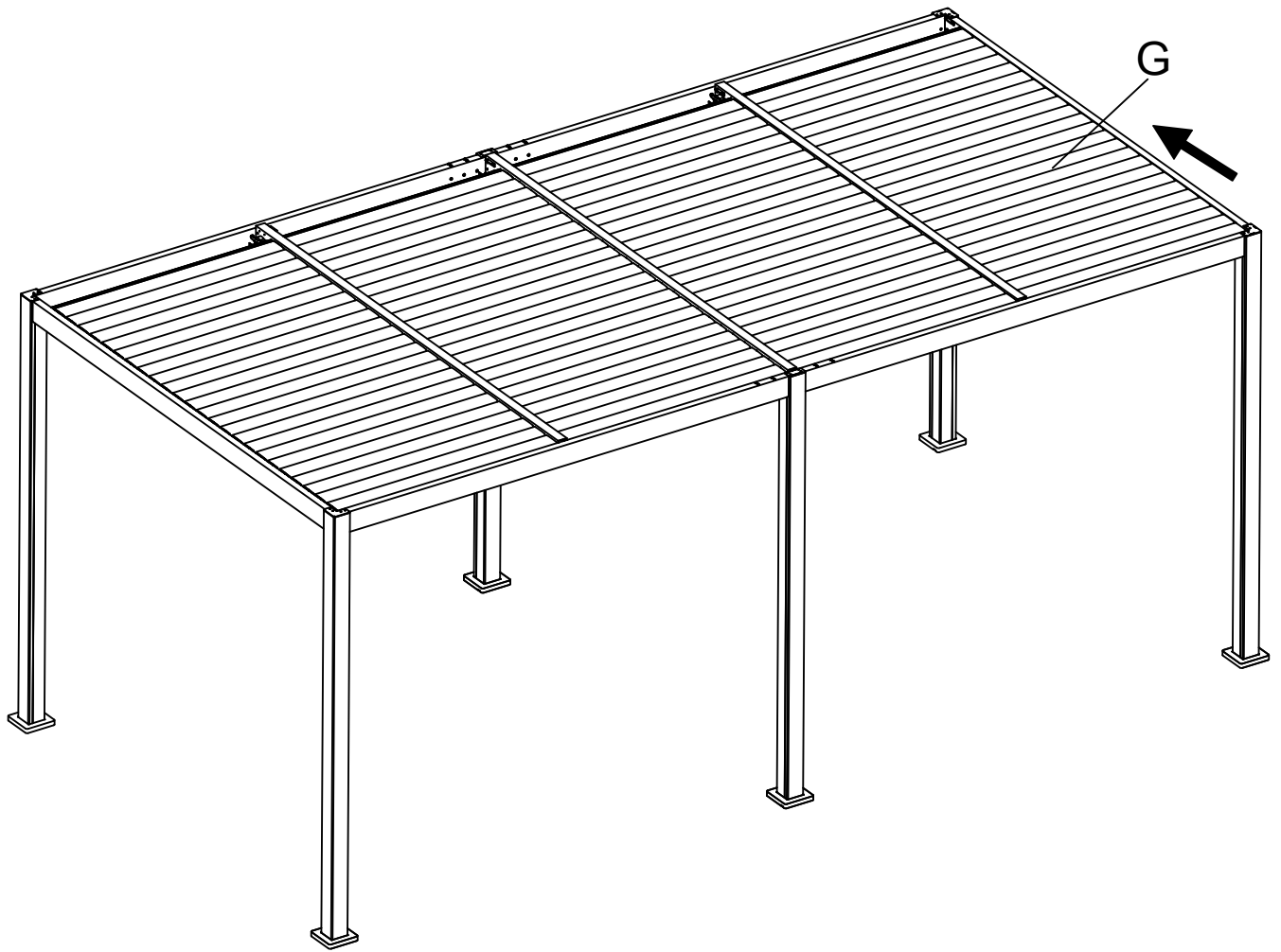
Step 12




Parts

J	1	
N	4	  M5*18

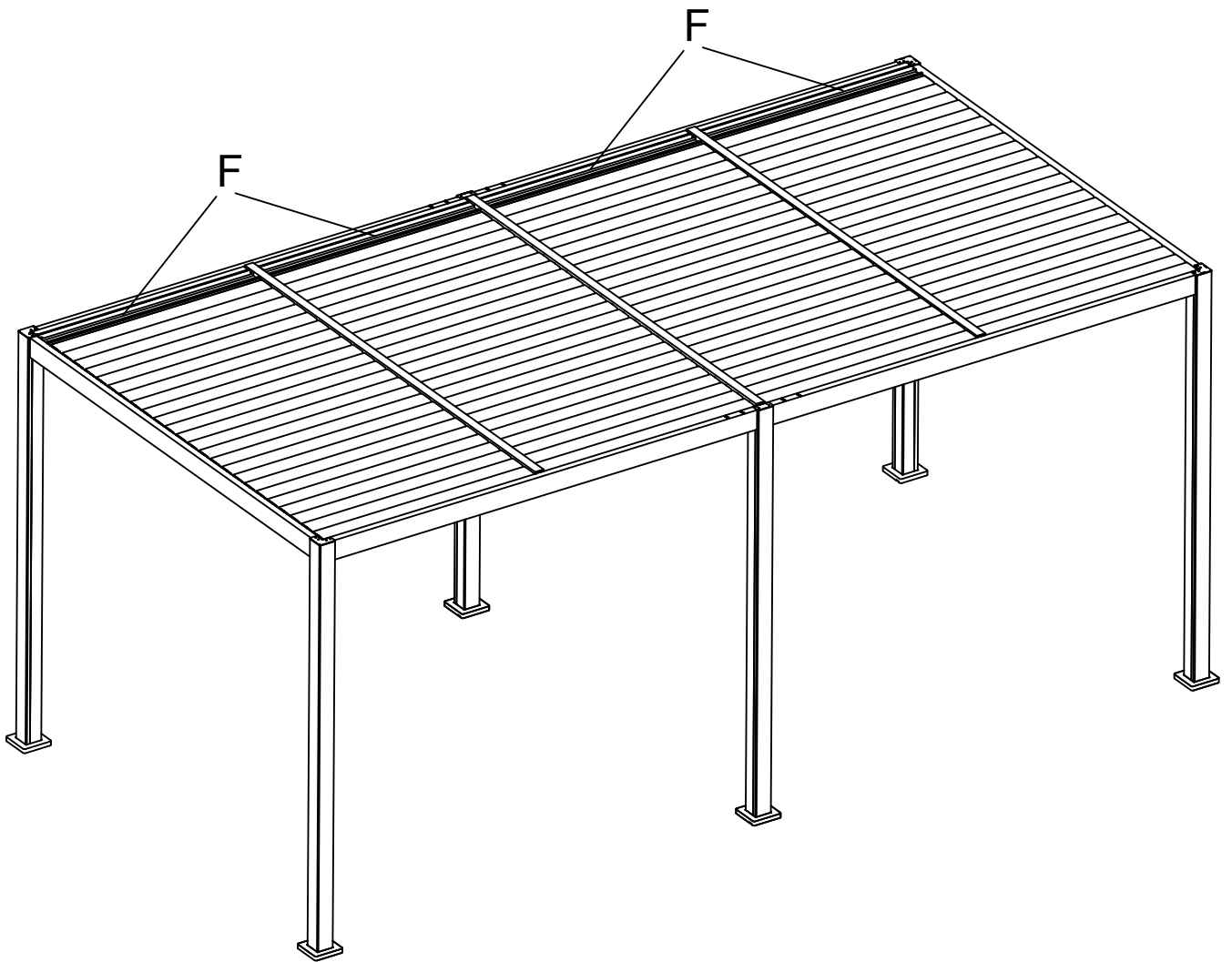
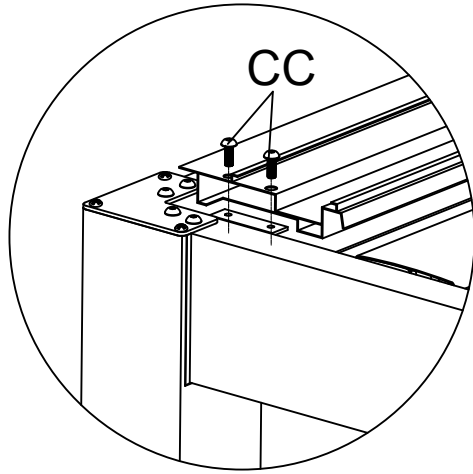
Step 13





Parts

G	120	
---	-----	---

Step 13



Parts

F	4		CC	16	 M6*10
---	---	---	----	----	---